

# BE22SKM & BE33SKM

**BAHCO**  
DORTMUND



**PNEUMATIC MILLING UNIT  
SERIES BE 22 SKM & BE 33 SKM**

**BAHCO**

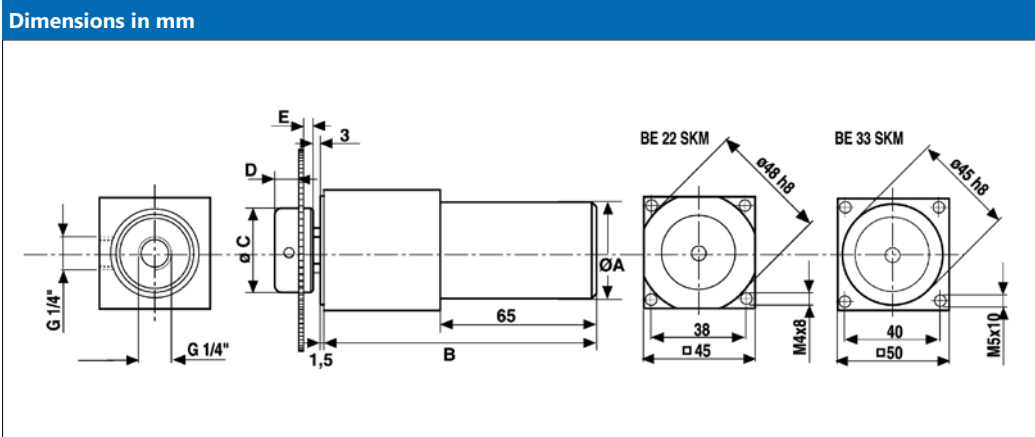
The BE 22/33 SKM consists of an air motor, a gear box and a robust body. The design is compact as well as robust. BE 22/33 SKM comes in a wide range of speeds, and is available for lubrication-free operation.

- Sturdy and compact design
- Wide range of rpms
- Direct exhaust

Guidlines for choice of unit [Ø, mm]				
Milling unit	Tool	Capacity in steel	Capacity in Aluminium/ Brass	Capacity in Wood/ Plastics
BE 22 SKM	Saw Ø	–	100	100
	Blade gauge	–	2	4
BE 33 SKM	Saw Ø	80	100	100
	Blade gauge	1,5	4	6
BE 22 SKM	End mill Ø	4	6	10
	Cutting depth	2	2	4
BE 33 SKM	End mill Ø	6	10	25
	Cutting depth	2	4	6

Performance specifications at 6,3 bar					
Power BE 22 SKM	0,25 kW	Air consumption BE 22 SKM	<0,3 m <sup>3</sup> /min.	Working pressure range	6-7 bar
Power BE 33 SKM	0,36 kW	Air consumption BE 33 SKM	<0,5 m <sup>3</sup> /min.	Sound level	70 dB(A)

Milling unit	Speed (idle rpm)	Speed rpm (at max. output)	Torque Nm (at max. output)	
low speed	BE 225 SKM	500	250	9,9
	BE 228 SKM	800	400	6,0
	BE 2211 SKM	1100	550	4,3
high speed	BE 2222 SKM	2200	1100	2,4
	BE 2236 SKM	3600	1800	1,5
	BE 2249 SKM	4900	2450	1,1
	BE 22220 SKM	22000	11000	0,25
low speed	BE 335 SKM	500	250	12,6
	BE 337 SKM	700	350	10,4
	BE 3313 SKM	1300	650	5,7
high speed	BE 3326 SKM	2600	1300	2,9
	BE 3333 SKM	3300	1650	2,3
	BE 3360 SKM	6000	3000	1,3
	BE 33210 SKM	21000	10500	0,37

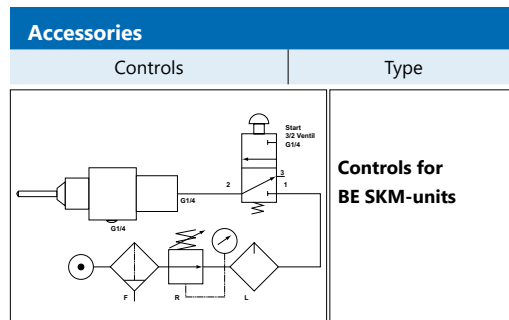


Milling unit	Speed	Ø A	B	Weight (kgs)
BE 22 SKM	Low	36	141	1,5
	High	36	109	0,9
BE 33 SKM	Low	40	149	1,4
	High	40	115	1,4

Bore Ø	A Ø	B Ø	D Ø
16	35	10	4
22	40	8	5
32	50	12	5

**Necessary components**

Tool holders	Type
	<b>Nuts</b> for Ø16 mm, Ø 22 mm und Ø 32 mm Bohrungen
	<b>Collet chucks</b> Ø 1,0-10,0 mm Ø 3,0-20,0 mm
Collets	Type
	<b>DA 200</b> Ø 1,0-10,0 mm
	<b>DA 180</b> Ø 3,0-20,0 mm



When requesting a quote or ordering please state: **Model, Chuck (collet size) or Nut size, and if it is to be used in lubrication-free operation and / or CCW-rotation.**

**BAHCO**  
DORTMUND

**BAHCO GmbH & Co.KG**

Martener Hellweg 60

DE- 44379 Dortmund

**Phone**

+49 231/91 72 11-0

**Fax**

+49 231/91 72 11-22

[www.bahco.de](http://www.bahco.de)

[info@bahco.de](mailto:info@bahco.de)

**BAHCO**

All information subject to change without further notice.  
No responsibility is taken for the correctness of the named specifications.