

**BEP22SK**

**BAHCO**  
DORTMUND



**PNEUMATIC PRECISION  
DRILLING UNIT**

**SERIES BEP22SK (250 WATT)**

**BAHCO**

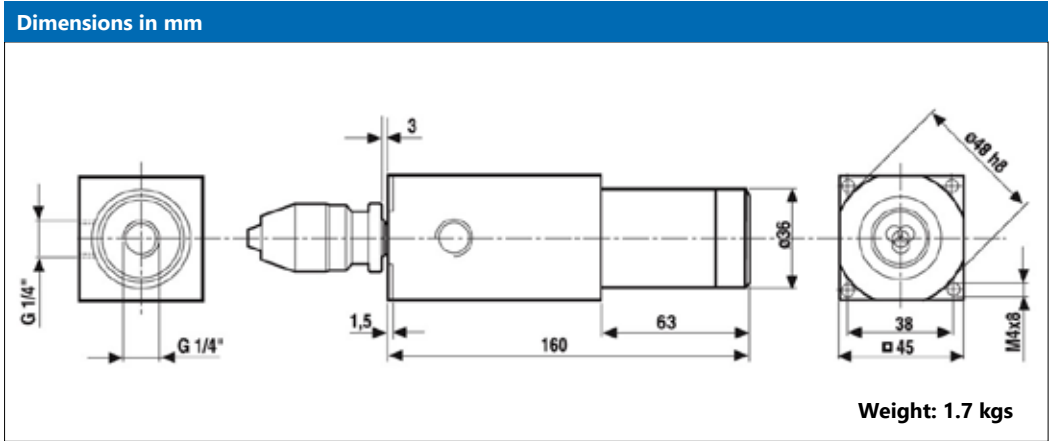
The BEP 22 SK is a precision drilling unit, equipped with a precision chuck. Thanks to separate and double ball bearings run-out amounts to a maximum of 0.01 mm. Its design is compact as well as robust. The BEP 22 SK comes in a wide range of speeds, and is available for lubrication-free operation.

- High precision
- Sturdy and compact design
- Wide range of rpm:s
- Directed exhaust

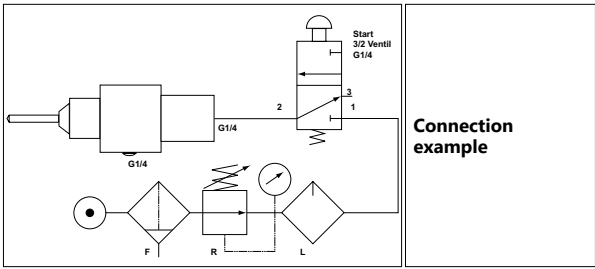
Guidelines for choice of unit [Ø, mm]			
Drilling unit	Ø in Steel / mm	Ø in Aluminium & Brass / mm	Ø in Wood / Plastics / mm
BEP 2222SK	6	9	14
BEP 2236SK	5	8	12
BEP 2249SK	4	6	10
BEP 22220SK	2	3	4

Performance specifications at 6,3 bar					
Power	0.25 kW	Run-out spindele nose (max.)	0.01 mm	Air consumption	<0.3 m <sup>3</sup> /min.
Min. CC spindle spacing	45 mm	Working pressure range	6 - 7 bar	Sound level	70 dB(A)

Drilling unit	Speed (idle) U/min	Speed U/min (at max. output)	Torque Nm (at max. output)
<b>BEP 2222SK</b>	2200	1100	2.4
<b>BEP 2236SK</b>	3600	1800	1.5
<b>BEP 2249SK</b>	4900	2450	1.1
<b>BEP 22220SK</b>	22000	11000	0.25



Necessary components	
Chucks	Type
	<b>Precision chucks</b> Ø 0 - 3 mm Ø 0 - 5 mm (Standard chuck) Ø 0 - 8 mm
	<b>Precision collet chuck</b> Ø 0.5-7.0 mm <b>ER11</b>
Collets	Type
	Ø 0.5-7.0 mm <b>ER11</b>



When requesting a quote or ordering please state: **model, chuck (collet size) and if it is to be used in lubrication-free operation.**

**BAHCO**  
DORTMUND

**BAHCO GmbH & Co.KG**

Martener Hellweg 60  
DE- 44379 Dortmund

**Phone**

+49 231/91 72 11-0

**Fax**

+49 231/91 72 11-22

[www.bahco.de](http://www.bahco.de)

[info@bahco.de](mailto:info@bahco.de)

**BAHCO**

All information subject to change without further notice.  
No responsibility is taken for the correctness of the named specifications.