

BE11

**BAHCO**  
DORTMUND



**HIGH PRECISION DRILLING  
UNIT SERIES BE11**

**BAHCO**

## BAHCO GmbH & Co.KG

Martener Hellweg 60

DE- 44379 Dortmund

### Phone

+49 231/91 72 11-0

### Fax

+49 231/91 72 11-22

www.bahco.de

info@bahco.de

Precision drilling/grinding unit with a basic design based on a patented air-driven turbine motor. The drive unit is powered without intermediate gears and features variable speed control up to 80000 rpm. A special high-speed precision bearing makes the drilling unit extremely quiet with a sound level of 67 dB (A). BE 11 is designed for lubrication-free operation.

- 80000 rpm
- Precision unit for drilling, deburring etc.
- Highly stable bearing system
- Low noise level (67 dB(A))

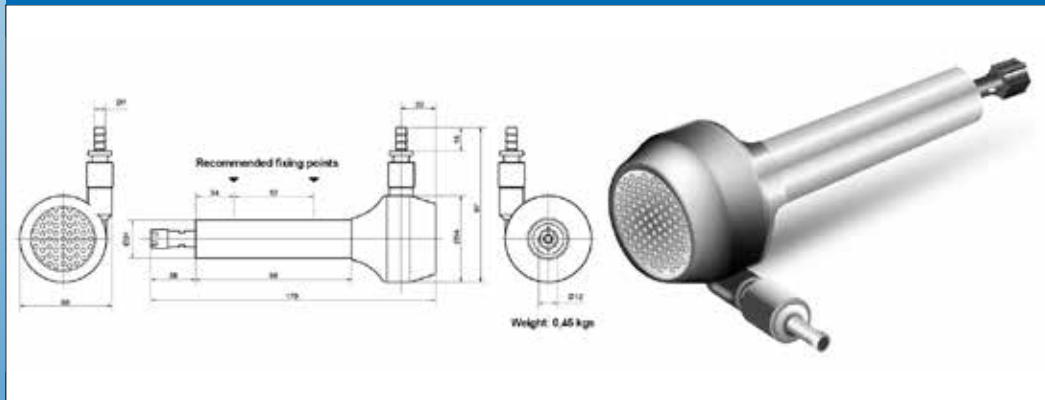
### Guidlines for choice of unit

Type	Ø in Steel / mm	Ø in Aluminium & Brass / mm	Ø in Wood / Plastics / mm
BE 11	1.5	3	4

### Performance specifications at 6,3 bar

Power	0.08 kW	Min. CC spindle spacing	54 mm	Air consumption	< 0.12 m <sup>3</sup> /min.
Speed	< 80000 U/min.	Run-out at spindle nose (max.)	0.007 mm	Sound level	67 dB(A)
Torque	0.02 Nm	Working pressure range	4 - 6.3 bar		

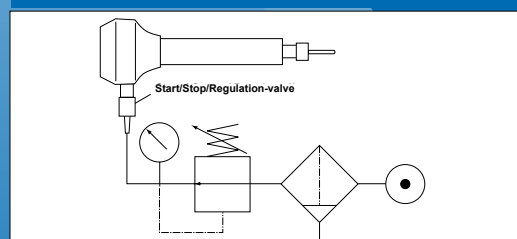
### Dimensions in mm



### Necessary components

Collett	Type
	<b>ER 8 Collet</b> 1.0-5.0 mm

### Connection Example



All information subject to change without further notice.  
No responsibility is taken for the correctness of the named specifications.