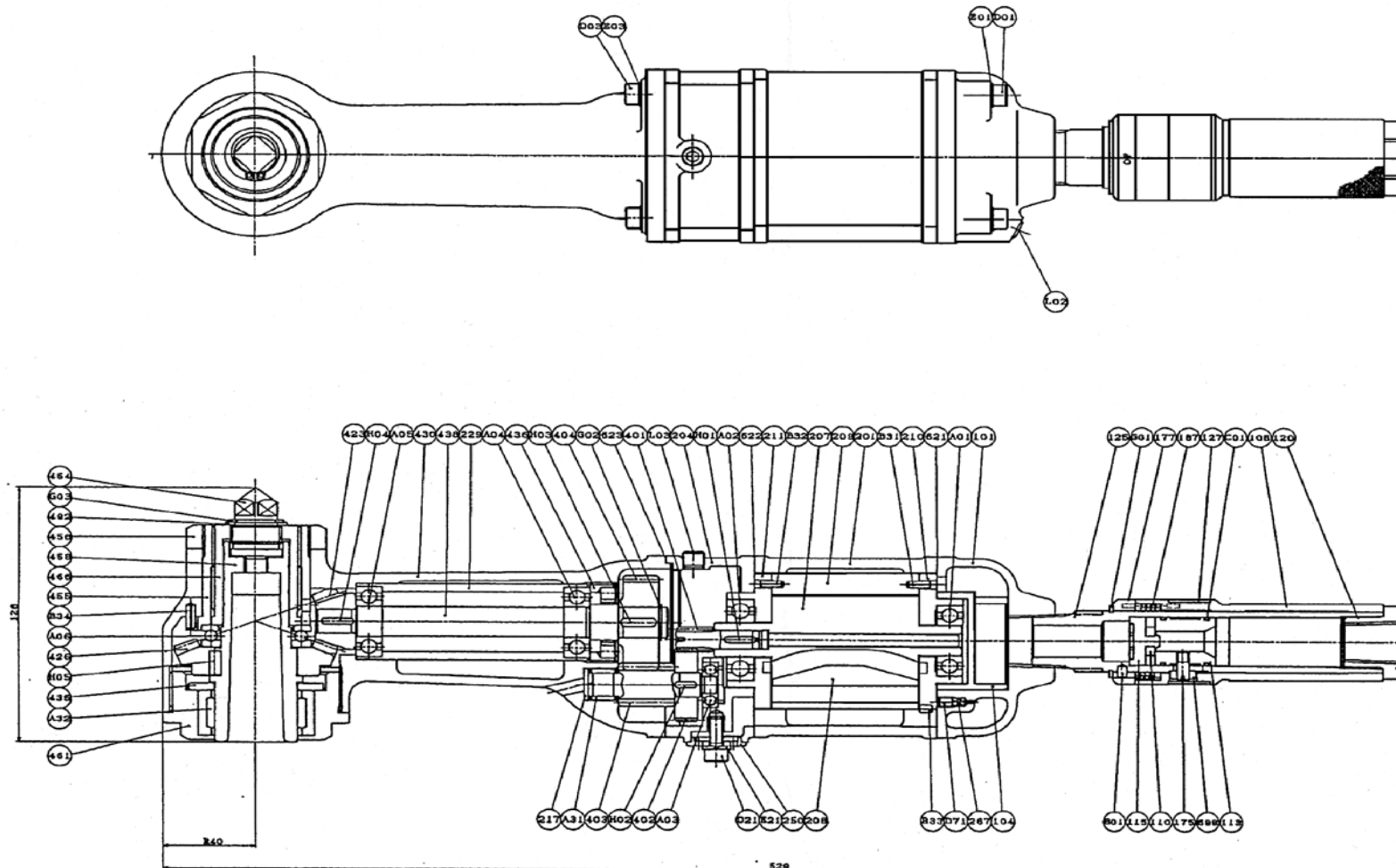


ANGLE DRILLING MACHINE - NON-REVERSIBLE - TYPE F-32RCN-1S



Documentation commissioner:
Andreas Bos
Version: 01.09.2022

BAHCO GmbH & Co. KG
Martener Hellweg 60
44379 Dortmund
Phone: +49(0)231 91 72 11-0
Fax: +49(0)231 91 72 11-20
Internet: www.bahco.de
E-Mail: info@bahco.de

Angle Drilling Machine Spare part List
Type
F-32RCN-1S



ANGLE DRILLING MACHINE - NON-REVERSIBLE -TYPE F-32RCN-1S

Pos.	Part No.	Description	Qty
101	D-027101-01	Housing cover	1
104	D-027104-00	Bushing	1
106	M-040106-00	Throttle valve handle	1
110	M-040110-00	Throttle valve	1
113	M-040113-00	Throttle valve rod	1
115	M-040115-00	Throttle valve plate	1
120	M-040120-00	Throttle valve cover	1
125	S-164125-00	Throttle valve (STEM)	1
127	M-040127-00	Throttle valve handle band	1
175	M-040175-00	Screw (B)	1
177	M-040177-00	Throttle handle	1
187	M-040187-00	Throttle valve handle spring	1
201	D-027201-00	Housing	1
204	D-027204-00	Housing lower cover	1
207	D-026207-00	Rotor	1
208	D-026208-00	Rotor blade	5
209	D-027209-00	Cylinder	1
210	D-026210-00	Cylinder upper plate	1
211	D-008211-00	Cylinder lower plate	1
217	D-027217-01	Bearing cover	1
229	D-027229-00	Bearing spacer	1
250	D-027250-00	Exhaust cover	1
267	W-025267-00	Oil plug felt	1
401	D-026401-00	No. 1 Pinion	1
402	D-027402-00	No. 1 Gear wheel	1
403	D-027403-00	No. 2 Pinion	1
404	D-027404-00	No. 2 Gear wheel	1

Pos.	Part No.	Description	Qty
423	D-027423-00	Bevel gear	1
426	D-027426-00	Bevel gear	1
430	D-027430-00	No. 1 Gear case	1
435	D-069435-00	Washer	1
436	D-027437-00	Bearing holder	1
438	D-027438-00	Spindle	1
454	D-069454-00	Feed screw	1
455	D-069455-00	Feed sleeve	1
456	D-069456-00	Feed sleeve nut	1
458	D-069458-00	Socket	1
461	D-069461-00	Socket nut	1
466	D-069466-00	Internal feed sleeve	1
621	D-027621-00	Packing (A)	1
622	D-027622-00	Packing (B)	1
623	D-027623-00	Packing (C)	1
698	D-026698-00	Guide roller	1
722	D-027722-00	Packing	1
A01	BB-6202	Ball bearing	1
A02	BB-6203	Ball bearing	1
A03	BB-608	Ball bearing	1
A04	BB-6202	Ball bearing	1
A05	BB-6202	Ball bearing	1
A06	BB-7206	Ball bearing	1
A31	NB-SC78	Needle bearing	1
A32	NB-HMK3525	Needle bearing	1

Pos.	Part No.	Description	Qty
B01	NR-45	Needle roller	1
B31	SP-310	Spring pin	1
B32	SP-310	Spring pin	1
B33	P-46	Pin	1
B34	SP-410	Spring pin	1
C01	O-S20	O-ring	2
D01	CS-635	Screw	4
D03	CS-660	Screw	4
D21	CS-616	Screw	1
E01	PW-6	Plain washer	4
E03	PW-6	Plain washer	4
E21	SW-6	Spring washer	1
G01	SR-SA30	Snap ring	1
G02	SR-S15	Snap ring	1
H01	K-3311	Key	1
H02	K-339.5	Key	1
H03	K-4415	Key	1
H04	K-32.514	Key	1
H05	K-5514	Key	1
K01	OS-ZF8	Oil packing	1
L03	PL-1/8	Plug	1

Documentation commissioner:
Andreas Bos
Version: 01.09.2022

BAHCO GmbH & Co. KG
Martener Hellweg 60
44379 Dortmund
Phone: +49(0)231 91 72 11-0
Fax: +49(0)231 91 72 11-20
Internet: www.bahco.de
E-Mail: info@bahco.de

Angle Drilling Machine Spare part List

Type
F-32RCN-1S

BAHCO
DORTMUND