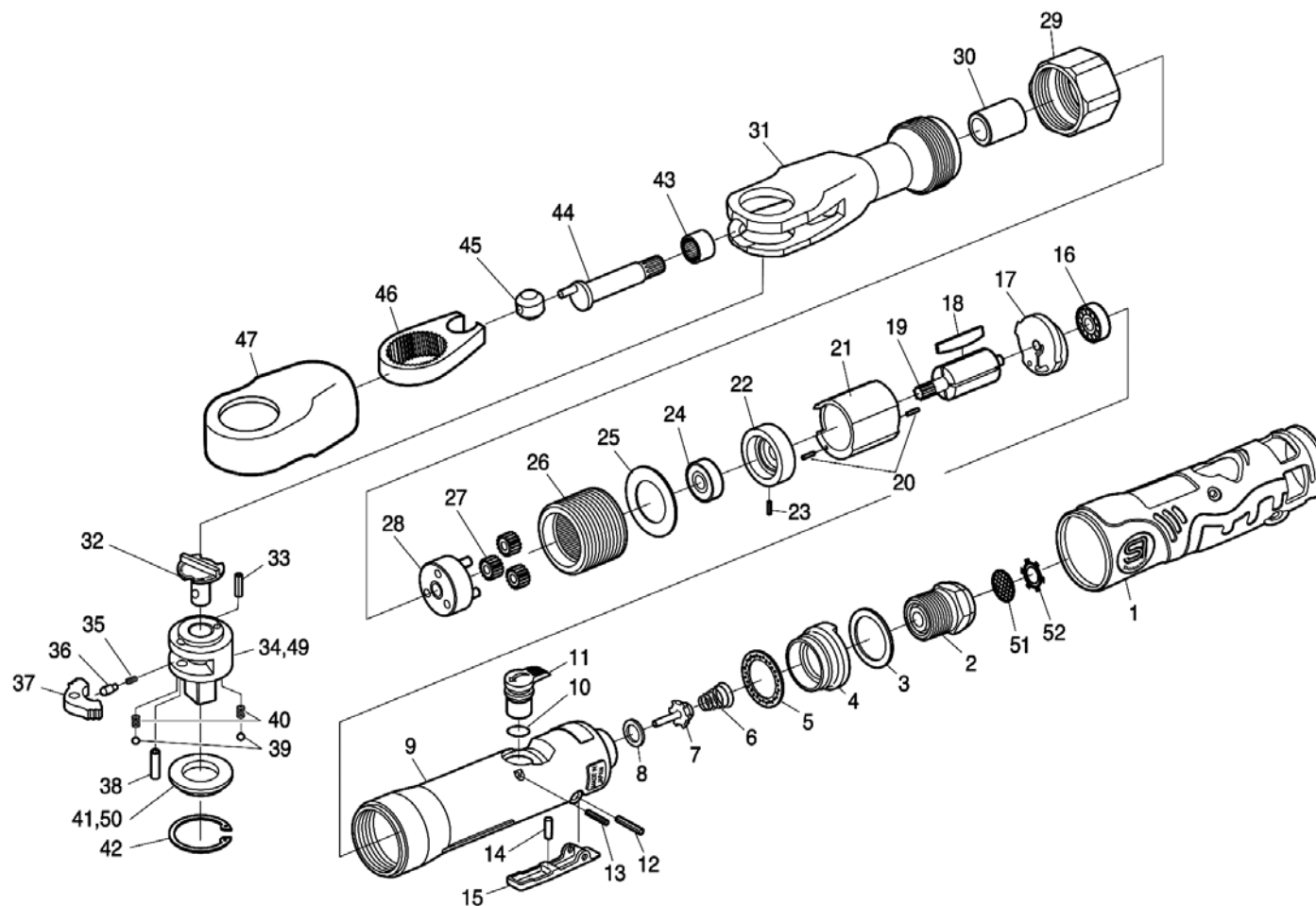




3/8" RATCHET WRENCH
1/2" RATCHET WRENCH
TYPE: SI-1340EX/SI-1345EX



Documentation commissioner: Andreas Bos
 Version: 01.2023

BAHCO GmbH & Co. KG
 Martener Hellweg 60
 44379 Dortmund
 Phone: +49(0)231-91 72 11-0
 Fax: +49(0)231-91 72 11-22
 Internet: www.bahco.de
 E-Mail: info@bahco.de

Ratchet Wrench - Spare Part List

Type
SI-1340EX
SI-1345EX



No.	Part-No.	Description	Qty
1	305-1SI	Housing Cover	1
2	305-4	Swivel Bushing	1
3	305-7	Washer	1
4	305-5	Deflector	1
5	305-6	Silencer	1
6	325-16	Valve Spring	1
7	325-8	Valve	1
8	139-9	Valve Seat	1
9	305-2	Motor Housing	1
10	P-7	O-Ring	1
11	325-6	Air Regulator	1
12	30-20	Roll Pin	1
13	25-20	Roll Pin	1
14	310-4S	Valve Pin	1
15	325-7	Throttle Lever	1
16	626	Ball Bearing	1
17	303-6	Rear Plate	1
18	301-15	Rotor Blade	4
20	15-6	Roll Pin	2
21	303-11	Cylinder	1
22	303-5	Front Plate	1
23	25-4	Roll Pin	1
24	608ZZ	Ball Bearing	1
25	670-18	Lock Washer	1
26	300-23	Internal Gear	1

No.	Part-No.	Description	Qty
27	300-13	Planet Gear	3
28	301-2	Planet Cage incl. Planet Pins (300-21x3)	1
29	670-25	Lock Ring	1
30	300-43	Bushing	1
31	305-3	Ratchet Housing	1
32	300-19	Reverse Lever	1
33	30-5	Roll Pin	1
34	300-5	3/8" Sq. Anvil incl. Pin (30-5)	1
35	670-45	Reverse Spring	1
36	670-17	Reverse Pin	1
37	670-9	Ratchet Pawl	1
38	670-27	Dowel Pin	1
39	SB-5/32	Steel Ball	2
40	800B-44	Thrust Washer Spring	2
41	670-26	Thrust Washer for 3/8" Sq. Anvil	1
42	IO-30	Retaining Ring	1
43	HK1212	Needle Bearing	1
44	302W-3	Crank Shaft	1
45	670-8	Drive Bushing	1
46	670-3	Yoke	1
47	150-55B	Boot	1
* 49	671H-2	1/2" Sq. Anvil incl. Pin (30-5)	1
* 50	671H-1	Thrust Washer 1/2" Sq. Anvil	1
51	680-28A	Screen	1
52	CRTW-12	Retainer	1
		* for 1345EX	

Documentation commissioner: Andreas Bos
Version: 01.2023

BAHCO GmbH & Co. KG
Martener Hellweg 60
44379 Dortmund
Phone: +49(0)231-91 72 11-0
Fax: +49(0)231-91 72 11-22
Internet: www.bahco.de
E-Mail: info@bahco.de

Ratchet Wrench - Spare Part List

Type
SI-1340EX
SI-1345EX

BAHCO
DORTMUND