

# GRINDERS

**BAHCO**  
DORTMUND



**PNEUMATIC VERTICAL-  
GRINDER SERIES FV**

**BAHCO**

Vertical grinders are extremely powerful due to their direct drive shafts. All vertical grinders have a governor who holds even under severe abrasive load the speed constant. All models have a spindle having an externally threaded 5 / 8-11 UNC and a safety start lever.

They contribute in many industries to higher productivity, quality improvements, improvements in the working environment and minimize operator fatigue.

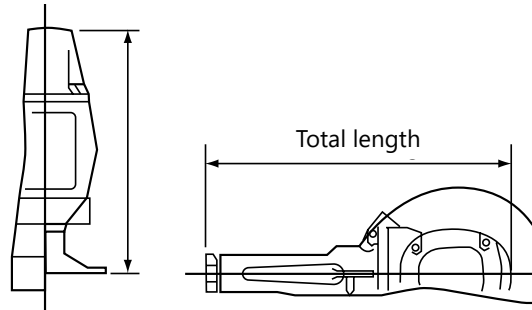


STANDARD VERSION									
Type	Max. Ø grinding disc	Idle speed	Height	Capacity	Total length	Weigth	Max. air cons.	Hose dia.	
	mm	rpm	mm	kW	mm	kg	m <sup>3</sup> /min.	mm	Zoll
<b>FV-7-1M</b>	180x6x22.2	6000	192	1.40	247	4.0	1.40	12.7	½"
<b>FV-7-4M</b>	180x6x22.2	8400	192	1.76	247	4.0	1.70	12.7	½"
<b>FV-9BH-1M</b>	230x10x22.2	5900	222	2.90	278	5.8	2.80	19.0	¾"

\*Air connection: ¾" BSP or NPT, Series FV-9BH: ½" BSP or NPT. (Standard: BSP)



Total height with grinding disc



VERSION WITH CUP-DISC									
Type	Max. Ø cup-disc	Idle speed	Height	Capacity	Total length	Weight	Max. air cons.	Hose dia.	
	mm	rpm	mm	kW	mm	kg	m <sup>3</sup> /min.	mm	inch
<b>FV-9BH-4M</b>	150x50x22.2	4500	204	2.90	278	6.1	2.40	19.0	¾"

\*Air connection: ½" BSP or NPT. (Standard: BSP)

VERSION WITH SANDING DISC									
Type	Max. Ø Sanding disc	Idle speed	Height	Capacity	Total length	Weight	Max. air cons.	hose dia.	
	mm	rpm	mm	kW	mm	kg	m <sup>3</sup> /min.	mm	inch
<b>FV-7-2M</b>	180x-x22.2	7000	192	1.54	247	4.0	1.60	12.7	½"

\*Air connection: ¾" BSP or NPT. (Standard: BSP)

**BAHCO**  
DORTMUND

**BAHCO GmbH & Co.KG**

Martener Hellweg 60

DE- 44379 Dortmund

**Phone**

+49 231/91 72 11-0

**Fax**

+49 231/91 72 11-22

[www.bahco.de](http://www.bahco.de)

[info@bahco.de](mailto:info@bahco.de)

**BAHCO**

All information subject to change without further notice.  
No responsibility is taken for the correctness of the named specifications.