

# ES-B-SERIES

**BAHCO**  
DORTMUND




**BRUSHLESS SCREW-  
DRIVER BATTERY TYPE  
PISTOL VERSION  
10.8 VOLT**

**WITH AUTOMATIC SHUT-OFF**

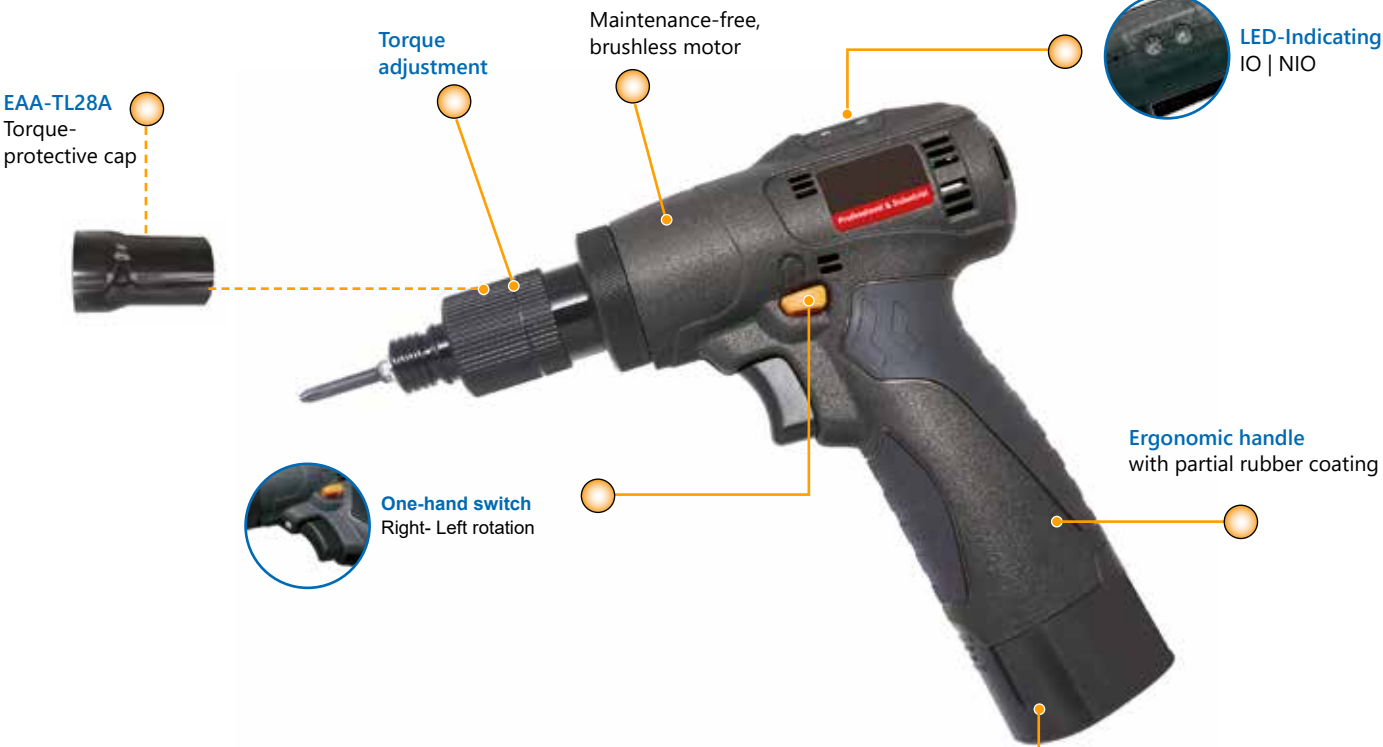
**BAHCO**

**FEATURES:**

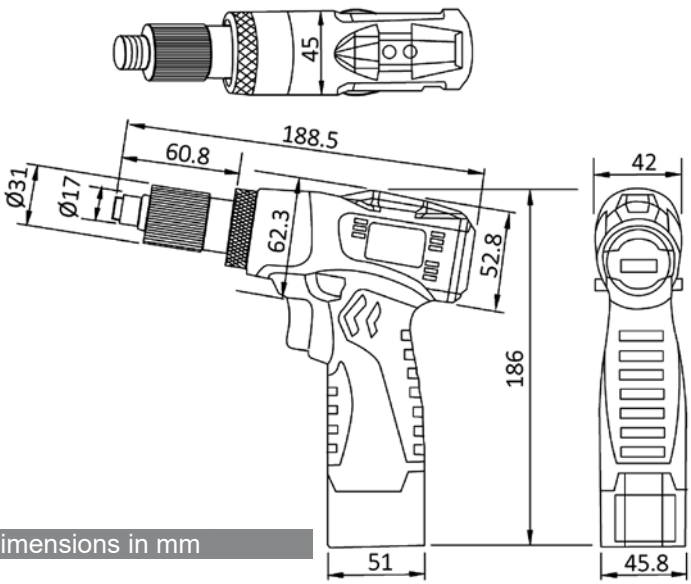
1. High shut-off accuracy:  $\pm 3\%$  deviation of the respective max. torque.
2. Ideal for confined spaces or areas where cables and hoses hinder the flexibility of handling, e.g., electrical installations in cars, junction boxes etc.
3. Ergonomic design, low weight and easy to use.
4. Energy saving mode: as soon as the screwdriver is not operated for more than 5 seconds, it switches to sleep mode to save energy and extend the standby time. If the standby time is longer than 24 seconds, the screwdriver shut-off.

Technical data								
Model	Voltage	Idle speed		Torque range $\pm 3\%$	Weight w. battery	Dimensions L x H (w/o. battery)	Battery pack	Bit-size
	[V]	[U/min.]		[Nm]	[kg]	[mm]		
		high	low	hard smooth				Hex 6.35mm
<b>ES-B11002HA/E-30</b>	10.8	2700	1900	0.5 - 2.0 0.5 - 1.6	0.9	189 x 157	BP1030L x 2 piece	
<b>ES-B11003A/E-30</b>	10.8	1400	1000	0.8 - 3.0 0.8 - 2.4	0.9	189 x 157	BP1030L x 2 piece	
<b>ES-B11005A/E-30</b>	10.8	800	550	1.5 - 4.5 1.5 - 3.6	0.9	189 x 157	BP1030L x 2 piece	

\* Standard tool with ESD housing & 2 batteries.



Technical drawing



Dimensions in mm

**BAHCO**  
DORTMUND

**BAHCO GmbH & Co.KG**

Martener Hellweg 60

DE- 44379 Dortmund

**Phone**

+49 231/91 72 11-0

**Fax**

+49 231/91 72 11-22

[www.bahco.de](http://www.bahco.de)

[info@bahco.de](mailto:info@bahco.de)

**BAHCO**