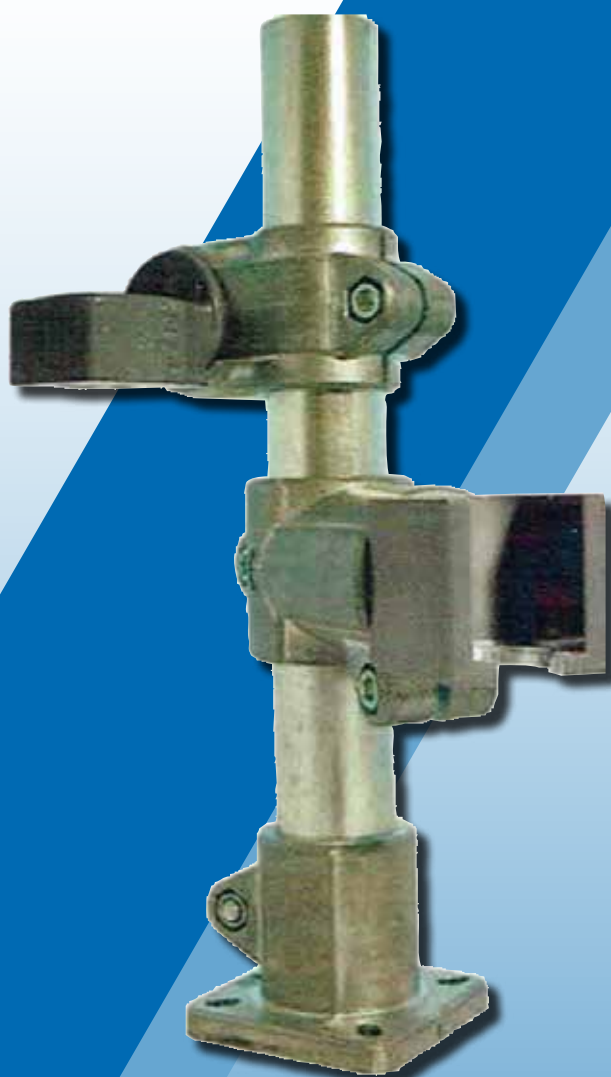


# MOUNTING PARTS

**BAHCO**  
DORTMUND



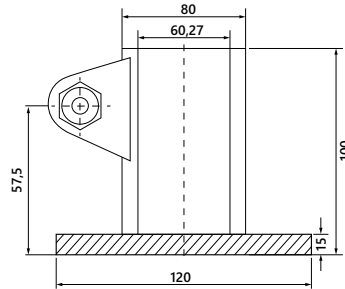
**MOUNTING PARTS / SPECIAL  
BRACKETS FOR DRILLING AND  
TAPPING UNITS**

**BAHCO**

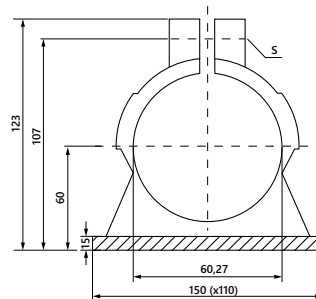
This programme facilitates the assembly, positioning and fastening of our pneumatic drilling and tapping units.

The special holders are adapted to the shape and the fastening possibilities of the respective units and can be rotated through 360° due to the round holder in combination with a clamping piece.

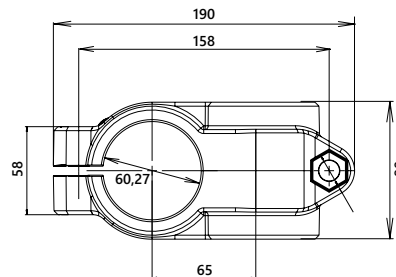
### BASE CLAMP - VERTICAL



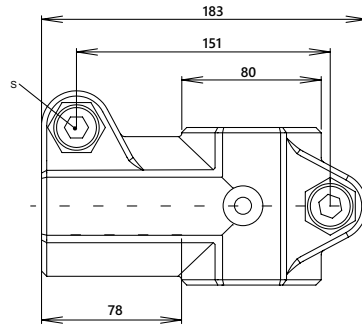
### BASE CLAMP - HORIZONTAL



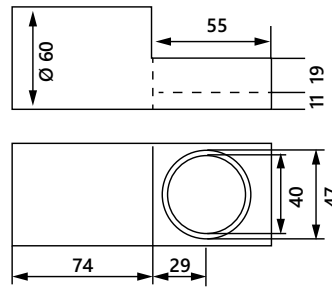
### ANGLED MOUNT



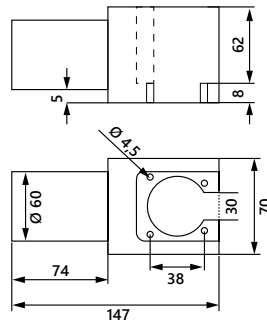
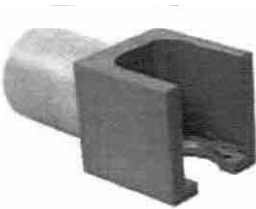
**STRAIGHT MOUNT**



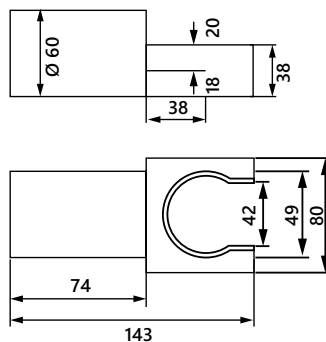
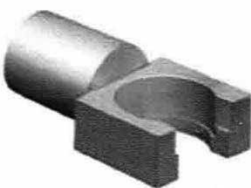
**SWIVEL CLAMP FOR BE21**



**SWIVEL CLAMP FOR BE22**



**SWIVEL CLAMP FOR BE33**



**BAHCO GmbH & Co.KG**

Martener Hellweg 60

DE- 44379 Dortmund

**Phone**

+49 231/91 72 11-0

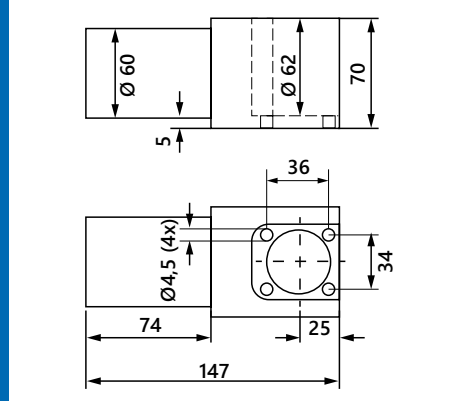
**Fax**

+49 231/91 72 11-22

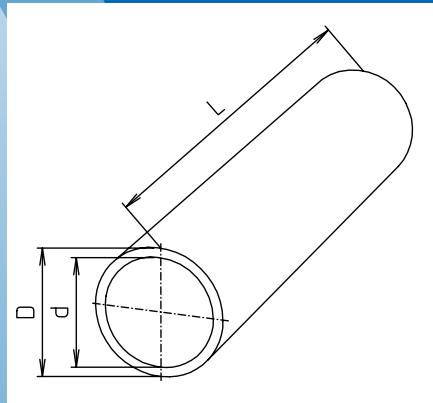
[www.bahco.de](http://www.bahco.de)

[info@bahco.de](mailto:info@bahco.de)

## SWIVEL CLAMP FOR LS22



## STEEL TUBES - ROUND



Steel tube, round 60 x 5 mm  
Galvanised ST37-2  
Standard length: 500 mm, 1000 mm  
Special length on request!

All information subject to change without further notice.  
No responsibility is taken for the correctness of the named specifications.