

BATTERY SCREW TECHNOLOGY

BAHCO
DORTMUND



**TORQUE WRENCHES
BATTERY TYPE
B-RAD OFFSET**

BAHCO

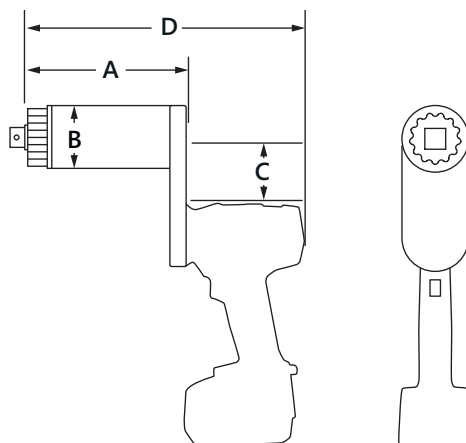
The battery-torque wrench of the **B-RAD OFFSET** series is characterized by its special design. Otherwise inaccessible screw points can be reached with the axially offset gear. With a repeat accuracy of $\pm 3.0\%$ and a torque range of 50-7000Nm, the screwdriver is suitable for many applications. This screwdriver battery type is one of the lightest and fastest tools in its class. You can choose between a short 1-speed screwdriver that is brushless.

This increases the service life of the tool, since there is no need for maintenance or repair of carbon brushes. With the optional 8.0Ah battery, the device can be operated for a particularly long time. If an angle tightening or documentation is required at a later point in time, this cordless screwdriver can be modified and converted into the **MB-RAD** series.



FEATURES

- Stepless, digital torque setting
- Rotation angle control
- Torque range 50 - 7.000 Nm
- Repeatability $\pm 3.0\%$
- Offset gear for hard-to-reach places
- Brushless electric motor
- Automatic load release
- Display via digital color display
- Operation with membrane button
- 360° rotatable handle
- Password protected access levels



SCOPE OF DELIVERY

- Torque wrench battery type B-RAD OFFSET
- Reaction arm with support ring
- 2 pieces of Li-Ion batteries with 5.2Ah / 18V
- Battery charger
- Factory test certificate
- Operation manual
- Tool case



OPTIONS

- Screw point lighting
- Li-HD-battery 8.0Ah
- Modification to series MB-RAD

ACCESSORIES

ADDITIONAL HANDLE	TOOL SUSPENSION	OFFSET-GEAR
SPECIAL REACTION ARM	TWO HAND OPERATION	

DIMENSIONS									
Type	Square drive	Torque [Nm]		Idle speed [min ⁻¹]	Weight [kgs]	Dimensions [mm]			
		min.	max.			A	B	C	D
B-RAD 275 OFFSET	1/2" & 3/4"	50	270	47	3.2	110	63	51	228
B-RAD 700 OFFSET	3/4"	175	700	21	3.5	126	63	51	231
B-RAD 1400 OFFSET	3/4"	300	1400	10	3.5	126	63	51	231
B-RAD 1400-2 OFFSET	3/4"	300	1400	71	4.3	174	63	51	279
B-RAD 2000 OFFSET	1"	400	2000	6	4.0	139	69	51	244
B-RAD 2000-2 OFFSET	1"	400	2000	19	4.9	193	69	51	298
B-RAD 4000 OFFSET	1" & 1 1/2"	815	4000	3	6.0	180	81	51	285
B-RAD 4000-2 OFFSET	1" & 1 1/2"	815	4000	19	6.7	232	81	51	337
B-RAD 7000 OFFSET	1 1/2"	1400	7000	2	9.3	190	95	51	295

BAHCO
DORTMUND

BAHCO GmbH & Co.KG

Martener Hellweg 60

DE- 44379 Dortmund

Phone

+49 231/91 72 11-0

Fax

+49 231/91 72 11-22

www.bahco.de

info@bahco.de

BAHCO

All information subject to change without further notice.
No responsibility is taken for the correctness of the named specifications.