

HYDRAULIC TORQUE WRENCH

BAHCO
DORTMUND



**HYDRAULIC SQUARE DRIVE
WRENCH**

...IBT-F WITH FINE TOOTHING

BAHCO

HYDRAULIC SQUARE DRIVE WRENCH IBT-F

The lightweight alloy gives the IBT-F ultimate power with the smallest total weight. The standard square drive will fit customary sockets or other attachments. The fine toothing of the tool prevents jamming.

FEATURES

- Torque setting using a torque table
- Torque range 170-37,000Nm
- Repeatability $\pm 3.0\%$
- Operating pressure up to 700bar
- Robust ratchet wheel with large teeth
- Torsional retention pawl system for max. efficiency
- Integrated safety valve for protection from overpressure
- Support arm with safety device for all positions
- 360° x 180° connection joint with quick coupling
- Suitable for continuous use at max. pressure



OPTIONS

- Higher torques on request
- Personalized engraving on the housing (e.g. company logo)

SCOPE OF DELIVERY

- Hydraulic square wrench IBT-F
- Interchangeable support
- Torque table
- Factory test certificate
- Operation manual
- Tool case (up to type 10 IBT-F)

ACCESSORIES

COUPLING



ADDITIONAL HANDLE

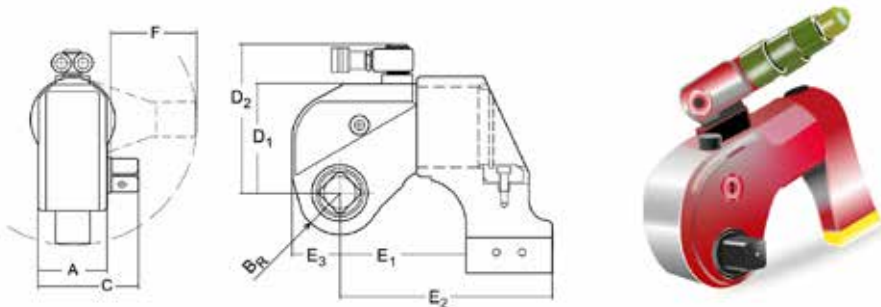


DIRECT SOCKET



HYDRAULIC SQUARE DRIVE WRENCH IBT-F

TECHNICAL DRAWING



SYMBOLIC



DIMENSIONS

Type	Square drive	Torque [Nm]		Weight [kgs]	Dimensions [mm]								
		min.	max.		A	BR	C	D1	D2	E1	E2	E3	F
1 IBT-F	¾"	170	1700	1.9	51	25	73	65	106	85	140	27	85
3 IBT-F	1"	450	4500	4.8	68	34	98	87	136	114	189	29	114
8 IBT-F	1½"	1000	10000	9.0	92	46	135	117	165	153	241	52	153
10 IBT-F	1½"	1500	15000	14.8	100	50	141	127	175	154	259	64	154
25 IBT-F	2½"	3700	37000	32.4	137	66	104	174	222	199	334	98	199

EXPLANATION OF THE SYMBOLS



Battery-operated



Rotation angle function



Electrically powered



Data transfer to the PC



Compressed air powered



Bluetooth connectivity



Oil operated



Sensor control



ATEX certification (optional)

BAHCO
DORTMUND

BAHCO GmbH & Co.KG

Martener Hellweg 60
DE- 44379 Dortmund

Phone

+49 231/91 72 11-0

Fax

+49 231/91 72 11-22

www.bahco.de

info@bahco.de

BAHCO

All information subject to change without further notice.
No responsibility is taken for the correctness of the named specifications.