

HYDRAULIC TORQUE WRENCH

BAHCO
DORTMUND



**HYDRAULIC TORQUE
WRENCH**
..LOW-F LOW PROFILE WITH FINE
TOOTHING

BAHCO

The hydraulic torque wrench series LOW-F is compact, flat and slim. The design makes it perfect for height-restricted applications. The fine toothing of the tool prevents jamming.

FEATURES

- Torque setting using a torque table
- Torque range 225-101600Nm
- Repeatability $\pm 3.0\%$
- Operating pressure up to 700bar
- Extremely flat design and the same width of drive and cassette
- Robust ratchet wheel with large teeth
- Torsion retention pawl system for max. efficiency
- Integrated safety valve to protect against overpressure
- Support arm with safety device for all positions
- 360° x 180° connection joint with quick coupling
- Suitable for continuous use at max. pressure

Drehmomenttabelle
Für Hydrodruckwrenche
Typ: LOW-F
Nennweite: 32mm

Hydrodruck		Drehmoment		Hydrodruck		Drehmoment	
bar	MPa	Nm	kgm	bar	MPa	Nm	kgm
225	22.5	225	22.5	225	22.5	225	22.5
250	25.0	250	25.0	250	25.0	250	25.0
275	27.5	275	27.5	275	27.5	275	27.5
300	30.0	300	30.0	300	30.0	300	30.0
325	32.5	325	32.5	325	32.5	325	32.5
350	35.0	350	35.0	350	35.0	350	35.0
375	37.5	375	37.5	375	37.5	375	37.5
400	40.0	400	40.0	400	40.0	400	40.0
425	42.5	425	42.5	425	42.5	425	42.5
450	45.0	450	45.0	450	45.0	450	45.0
475	47.5	475	47.5	475	47.5	475	47.5
500	50.0	500	50.0	500	50.0	500	50.0
525	52.5	525	52.5	525	52.5	525	52.5
550	55.0	550	55.0	550	55.0	550	55.0
575	57.5	575	57.5	575	57.5	575	57.5
600	60.0	600	60.0	600	60.0	600	60.0
625	62.5	625	62.5	625	62.5	625	62.5
650	65.0	650	65.0	650	65.0	650	65.0
675	67.5	675	67.5	675	67.5	675	67.5
700	70.0	700	70.0	700	70.0	700	70.0



HYDRAULIC TORQUE WRENCH LOW-F

OPTIONS

- Higher torques on request
- Personalized engraving on the housing (e.g. company logo)

SCOPE OF DELIVERY

- LOW-F hydraulic cassette screwdriver
- Interchangeable support
- Torque table
- Factory test certificate
- Operation manual
- Tool case (up to type 14 LOW-F)

ACCESSORIES

COUPLING



HINGED SUPPORT



SUPPORT EXTENSION



SYMBOLIC

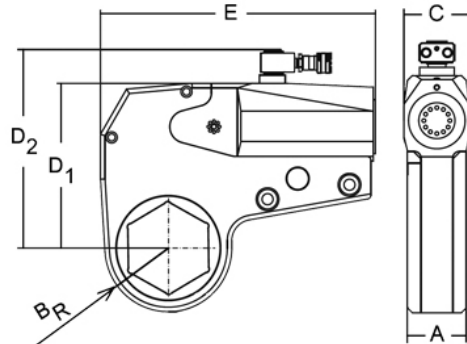


DIMENSIONS

Type	Wrench size*	Torque [Nm]		Weight	Dimensions [mm]					
	mm	min.	max.	[kgs]	A	B _R *	C	D ₁	D ₂	E
2 LOW-F	19 - 60	260	3000	3.0	32	27-46	51	97	125	193
4 LOW-F	27 - 80	540	6000	6.7	41	36-61	64	125	158	250
8 LOW-F	50 - 105	1180	14500	11.8	52	46-78	78	157	189	310
14 LOW-F	70 - 115	2120	23100	18.4	64	60-87	93	191	223	378
30 LOW-F	80 - 175	4380	48500	45.0	83	78-128	97	242	291	405

* See selection table for interchangeable cassettes.

TECHNICAL DRAWING



HYDRAULIC POWER WRENCHES INTERCHANGEABLE CASSETTES SERIES LOW-F

All interchangeable cassettes are designed for the maximum torque of the respective drive cylinder. This is particularly important when working with accessories such as square adapters or Allen sockets. With the help of the B_R and A , you can in most cases assess in advance which interchangeable cassettes are absolutely necessary for your applications and where you can work with a more cost-effective hexagon reducing insert. Other wrench sizes than the standard metric sizes listed in the table are of course also available. Please inquire about imperial sizes or special shapes from BAHCO. If the radius are too big for your application, please contact us. We check, depending on the required maximum torque, whether a reduced wall thickness can be achieved.

HYDRAULIC TORQUE WRENCH LOW-F

Selection table for interchangeable cassettes

2 LOW-F		4 LOW-F		8 LOW-F		14 LOW-F		30 LOW-F	
SW	B _R	SW	B _R	SW	B _R	SW	B _R	SW	B _R
19	26	27	36	50	44	70	59	80	72
22	26	30	35	55	47	75	62	85	78
24	26	32	35	60	50	80	65	90	78
27	26	34	35	65	53	85	68	95	84
30	28	36	35	70	56	90	71	100	84
32	28	41	35	75	58	95	77	105	90
34	31	46	37	80	61	100	77	110	94
36	31	50	41	85	66	105	79	115	94
41	34	55	44	90	69	110	87	120	101
46	37	60	47	95	71	115	87	125	101
50	40	65	50	100	77			130	101
55	42	70	52	105	77			135	105
60	46	75	56					140	110
		80	58					145	110
								150	115
								155	115
								160	121
								165	121
								170	128
								175	128

Dimensions in [mm].

EXPLANATION OF THE SYMBOLS



Battery-operated



Rotation angle function



Electrically powered



Data transfer to the PC



Compressed air powered



Bluetooth connectivity



Oil operated



Sensor control



ATEX certification (optional)

BAHCO
DORTMUND

BAHCO GmbH & Co.KG

Martener Hellweg 60

DE- 44379 Dortmund

Phone

+49 231/91 72 11-0

Fax

+49 231/91 72 11-22

www.bahco.de

info@bahco.de

BAHCO

All information subject to change without further notice.
No responsibility is taken for the correctness of the named specifications.