

HYDRAULIC TORQUE WRENCH

BAHCO
DORTMUND



**HYDRAULIC
TORQUE WRENCH**
...MFC LOW PROFILE

BAHCO

The MFC series hydraulic torque wrench is compact, flat and slim. The design makes it perfect for height-restricted applications. The torsion retaining pawl system achieves maximum efficiency as bolt torsion is restricted with each stroke, optimising direct pre-load force transmission.

FEATURES

- Torque setting using a torque table
- Torque range 225-101600Nm
- Repeatability $\pm 3.0\%$
- Operating pressure up to 700bar
- Extremely flat design and the same width of drive and cassette
- Robust ratchet wheel with large teeth
- Torsion retention pawl system for max. efficiency
- Integrated safety valve to protect against overpressure
- Support arm with safety device for all positions
- 360 ° x 180 ° connection joint with quick coupling
- Suitable for continuous use at max. pressure

Drehmomenttabelle für Hydraulikschrauber **BAHCO DORTMUND**

Hydraulikdruck		Drehmoment		Hydraulikdruck		Drehmoment	
[bar]	[Mpa]	[Nm]		[bar]	[Mpa]	[Nm]	
20	2	562		390	39	9092	
30	3	843		400	40	9171	
40	4	1124		410	41	9250	
50	5	1405		420	42	9330	
60	6	1686		430	43	9409	
70	7	1967		440	44	9489	
80	8	2248		450	45	9568	
90	9	2529		460	46	9647	
100	10	2810		470	47	9727	
110	11	3091		480	48	9806	
120	12	3372		490	49	9886	
130	13	3653		500	50	9965	
140	14	3934		510	51	10045	
150	15	4215		520	52	10124	
160	16	4496		530	53	10204	
170	17	4777		540	54	10284	
180	18	5058		550	55	10363	
190	19	5339		560	56	10443	
200	20	5620		570	57	10522	
210	21	5901		580	58	10602	
220	22	6182		590	59	10682	
230	23	6463		600	60	10761	
240	24	6744		610	61	10841	
250	25	7025		620	62	10921	
260	26	7306		630	63	11000	
270	27	7587		640	64	11080	
280	28	7868		650	65	11160	
290	29	8149		660	66	11239	
300	30	8430		670	67	11319	
310	31	8711		680	68	11398	
320	32	8992					
330	33	9273					
340	34	9554					
350	35	9835					
360	36	10116					



OPTIONS

- Higher torques on request
- Personalized engraving on the housing (e.g. company logo)

SCOPE OF DELIVERY

SCOPE OF DELIVERY

- Hydraulic cassette screwdriver MFC
- Exchangeable support
- Torque table
- Factory test certificate
- Instruction manual
- Tool case (up to type 14 MFC)

HYDRAULIC TORQUE WRENCH MFC

ACCESSORIES

COUPLING



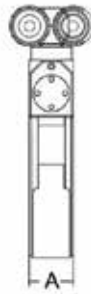
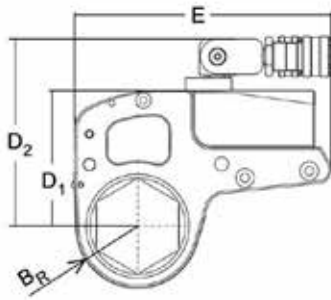
HINGED SUPPORT



SUPPORT EXTENSION



TECHNICAL DRAWING



SYMBOLIC

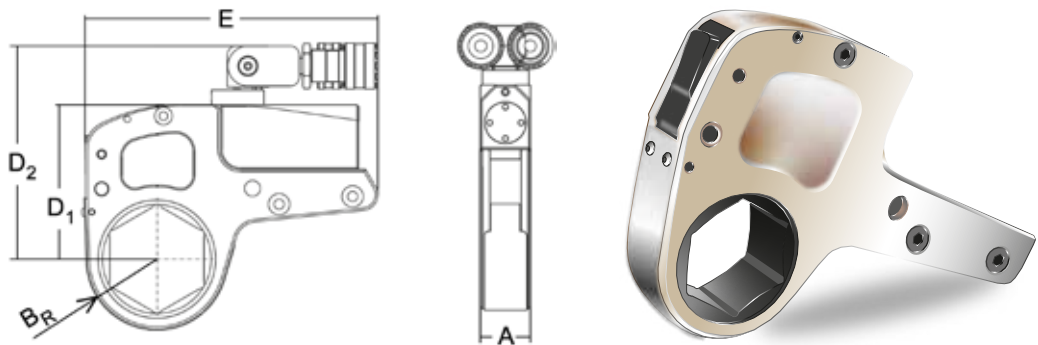


DIMENSIONS

Type	Drive size*	Torque [Nm]		Weight [kgs]	Dimensions [mm]				
	mm	min.	max.		A	B _R *	D ₁	D ₂	E
2 MFC	19 - 60	225	2350	2.4	32	27 - 46	95	132	186
4 MFC	34 - 80	520	5750	5.7	43	36 - 61	127	176	251
8 MFC	41 - 105	1050	11000	9.6	53	46 - 78	154	211	308
14 MFC	50 - 115	1850	18500	17.8	64	60 - 87	200	252	378
30 MFC	110 - 175	4190	44600	31.0	85	77 - 128	253	300	460
60 MFC	145 - 230	9250	101600	108.0	120	123 - 173	338	380	590

HYDRAULIC POWER WRENCHES INTERCHANGEABLE CASSETS SERIES MFC

All interchangeable cassettes are designed for the maximum torque of the respective drive cylinder. This is particularly important when working with accessories such as square adapters or Allen inserts. With the help of BR and A, you can in most cases assess in advance which interchangeable cassettes are absolutely necessary for your applications and where you can work with a less expensive hexagonal reducer insert. Other spanner sizes than the metric standard sizes listed in the table are of course also available. For imperial sizes or special shapes, please contact BAHCO. If the radii are too large for your application, please contact us. We check, depending on the required maximum torque, whether a reduced wall thickness is feasible.



SELECTION TABLE FOR INTERCHANGEABLE CASSETTES.											
2MFC		4 MFC		8 MFC		14 MFC		30 MFC		60 MFC	
SW	B _R	SW	B _R	SW	B _R	SW	B _R	SW	B _R	SW	B _R
19	27	34	36	41	46	50	60	85	78	145	123
22	27	36	36	46	46	55	60	90	78	165	134
24	27	41	39	50	46	60	60	95	83	175	140
27	27	46	42	55	50	65	60	100	83	180	143
30	29	50	44	60	52	70	60	105	89	185	146
32	29	55	46	65	55	75	63	110	89	230	173
34	31	60	50	70	58	80	66	115	95		
36	31	65	53	75	60	85	69	117	95		
41	34	70	56	80	63	90	72	120	95		
46	37	75	59	85	66	95	74	125	101		
50	40	80	61	90	69	100	77	130	101		
55	43			95	71	105	80	135	104		
60	46			100	75	110	83	140	110		
				105	78	115	87	145	110		
								150	116		
								155	116		
								160	128		
								165	128		
								170	128		
								175	128		

DIMENSIONS IN [MM].

EXPLANATION OF THE SYMBOLS



Battery-operated



Rotation angle function



Electrically powered



Data transfer to the PC



Compressed air powered



Bluetooth connectivity



Oil operated



Sensor control



ATEX certification (optional)

BAHCO
DORTMUND

BAHCO GmbH & Co.KG

Martener Hellweg 60

DE- 44379 Dortmund

Phone

+49 231/91 72 11-0

Fax

+49 231/91 72 11-22

www.bahco.de

info@bahco.de

BAHCO

All information subject to change without further notice.
No responsibility is taken for the correctness of the named specifications.