

PNEUMATIC TORQUE WRENCH

BAHCO
DORTMUND



**PNEUMATIC
TORQUE WRENCH
SL/GX/DX -STANDARD-**

BAHCO

PNEUMATIC TORQUE WRENCH SL/GX/DX-STANDARD

The pneumatic series SL/GX/DX offer the best power-to-weight ratio. The torque can be set by a finely graded pressure control valve. By continuous, even torque increase the torque will be induced ideal to the bolted assembly.

Noise, vibration and thread damage, as appear to conventional impact wrenches, are prevented. At a surcharge, the pneumatic torque wrench can be delivered according to ATEX specification.

FEATURES

- Torque adjustment via air pressure
- Torque range 35-15000Nm
- Repeatability $\pm 5.0\%$
- Continuous build-up of torque
- No impulsive beats
- Very robust, fast and safe
- Handle that can be rotated 360°



PNEUMATIC TORQUE WRENCH SL/GX/DX-STANDARD

BAHCO
DORTMUND

OPTIONS

- ATEX certification on the screwdriver and maintenance unit
- Maintenance unit with two fixed pressure settings
- Pneumatic screwdriver with integrated torque sensor
- Other hose lengths on request

SCOPE OF DELIVERY

- Torque screwdriver SL / GX / DX
- Reaction arm with locking ring
- Maintenance unit including compressed air oil
- 3.6m compressed air hose
- Factory test certificate
- Operation manual
- Foldable transport box

ACCESSORIES

ADDITIONAL HANDLE



TOOL SUSPENSION



HAND PROTECTION



SPECIAL REACTION ARM



TWO-HAND OPERATION

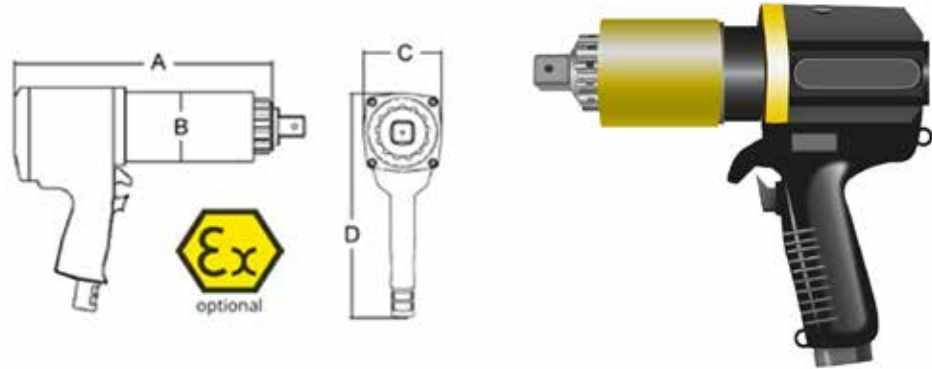


EXTENSION



PNEUMATIC TORQUE WRENCH SL/GX/DX-STANDARD

TECHNICAL DRAWING



SYMBOLIK



DIMENSIONS

Type	Square drive	Torque [Nm]		Speed [min ⁻¹]	Weight [kg]	Dimensions [mm]			
		min.	max.			A	B	C	D
100 SL	1/2" & 3/4"	35	100	275	2.6	161	63	70	206
275 SL	3/4"	50	275	90	2.9	173	63	70	206
475 SL	3/4"	70	475	65	2.9	173	63	70	206
10 GX	3/4"	150	950	30	3.5	209	63	70	206
14 GX	3/4"	275	1350	20	3.5	209	63	70	206
20 DX	1"	400	2000	10	3.9	205	69	70	206
34 GX	1"	700	3400	9	6.1	246	77	84	242
40 DX	1" & 1 1/2"	1200	4000	8	6.6	261	81	84	242
46 GX	1" & 1 1/2"	1400	4600	12	9.0	325	86	96	266
70 DX	1 1/2"	2000	7000	7	10.7	294	95	96	269
80 GX	1 1/2"	2700	8000	7	12.5	348	101	101	269
110 DX	1 1/2"	3400	10800	4	13.9	318	108	108	273
150 DX	1" & 2 1/2"	5400	15000	3	19.0	361	127	127	281

PNEUMATIC TORQUE WRENCH SL/GX/DX-STANDARD

BAHCO
DORTMUND

EXPLANATION OF THE SYMBOLS



Battery-operated



Rotation angle function



Electrically powered



Data transfer to the PC



Compressed air powered



Bluetooth connectivity



Oil operated



Sensor control



ATEX certification (optional)

BAHCO
DORTMUND

BAHCO GmbH & Co.KG

Martener Hellweg 60
DE- 44379 Dortmund

Phone

+49 231/91 72 11-0

Fax

+49 231/91 72 11-22

www.bahco.de

info@bahco.de

BAHCO

All information subject to change without further notice.
No responsibility is taken for the correctness of the named specifications.