

SMART SOCKET MEASURING PLUG

BAHCO
DORTMUND



SMART SOCKET
-THE MEASURING PLUG-

BAHCO

The Smart Socket uses RAD Torque's transducer technology combined with custom sockets to measure the torque applied to the socket during a torque cycle.

Its compact size and innovative technology make the Smart Socket a perfect audit tool for inspecting bolted joints and can function as a master calibration for various torque tools.

With special reducers the tool assortment can be expanded.

FEATURES

- Measurement recording and display of peak torques
- Variable key width through reduction inserts
- Graphical display of the torque course
- Automatic data logging
- Data acquisition software
- Screwdriver-specific on-site adjustment of torque wrenches
- Bluetooth adapter included
- Accuracy of the transducer $\pm 1.0\%$



SMART SOCKET-MEASURING PLUG

OPTIONS

- Weatherproof and robust case for the tablet
- Electronic screwdriver E-RAD BLU communicates directly with Smart Socket™

SCOPE OF DELIVERY

- SmartSocket™
- O-ring and pin to safe the socket
- Tablet with data acquisition software installed
- USB charging cable
- Factory test certificate
- Operation manual
- Tool case

ACCESSORIES

SQUARE REDUCTION INSERT



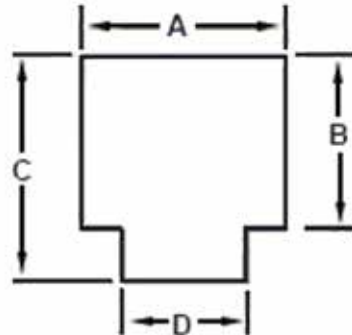
HEXAGON REDUCTION INSERT



IN/OUT-ADAPTER



TECHNICAL DRAWING



SYMBOLIC



Battery powered



Data transfer to the PC



Bluetooth-Connectivity



Sensor control



DIMENSIONS

Type	Square drive	Torque [Nm]		Wrench size [mm]	Weight [kgs]	Dimensions [mm]			
		min.	max.			A	B	C	D
SmartSocket™ -32	¾" & 1"	100	2034	32	1.2	72	42	70	100
SmartSocket™ -36	1"	100	2034	36	1.2	72	54	65	100
SmartSocket™ -41	1"	100	2034	41	1.2	72	54	65	87
SmartSocket™ -46	1"	100	2034	46	1.2	72	54	65	87
SmartSocket™ -50	1"	200	4050	50	1.5	86	54	69	89
SmartSocket™ -55	1"	200	4050	55	1.5	86	54	69	89
SmartSocket™ -60	1"	200	4050	60	1.5	86	54	69	89
SmartSocket™ -65	1½"	500	10800	65	4.0	115	87	90	121
SmartSocket™ -70	1½"	500	10800	70	4.0	115	87	90	121
SmartSocket™ -80	1½"	500	10800	80	4.0	115	87	90	121
SmartSocket™ -90	1½"	1100	16200	90	5.8	131	99	99	115
SmartSocket™ -100	1½"	1100	16200	100	7.2	146	99	99	120
SmartSocket™ -110	1½"	1100	16200	110	7.2	146	99	99	120

EXPLANATION OF THE SYMBOLS



Battery-operated



Rotation angle function



Electrically powered



Data transfer to the PC



Compressed air powered



Bluetooth connectivity



Oil operated



Sensor control



ATEX certification (optional)

BAHCO
DORTMUND

BAHCO GmbH & Co.KG

Martener Hellweg 60

DE- 44379 Dortmund

Phone

+49 231/91 72 11-0

Fax

+49 231/91 72 11-22

www.bahco.de

info@bahco.de

BAHCO

All information subject to change without further notice.
No responsibility is taken for the correctness of the named specifications.