

1.500 BAR

BAHCO
DORTMUND



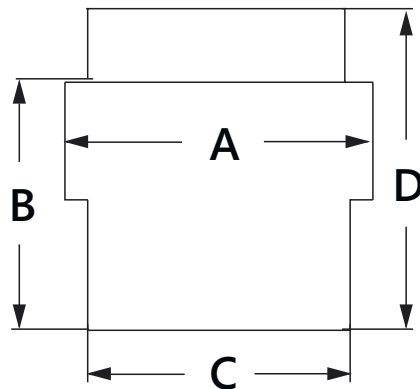
**SINGLE ACTING TENSIONER
SERIES HSR**

BAHCO

The hydraulic tensioner series HSR is single-staged and applicable for stud sizes M20-M100.
Other sizes are available on request!

Features

- Single-staged bolt tensioner with spring return
- Stud sizes M20-M100
- Max. pressure 1500bar
- Piston stroke 10mm (except HSR 0 = 8mm)
- Regardless of stud protrusion over flange
- Piston stroke indication
- Piston overstroke prevention



Dimensions							
Type	Stud size *	Load capacity	Weight	Dimensions [mm]			
				A	B	C	D
HSR 0	M20 - M22	160	2.5	67	93	63	114
HSR 1	M24 - M30	280	3.7	85	117 - 120	68 - 76	142 - 145
HSR 2	M24 - M36	450	5.5	103	117 - 126	75 - 89	142 - 151
HSR 3	M33 - M42	660	7.5	118	123 - 132	92 - 105	150 - 159
HSR 4	M39 - M48	1000	11.5	141	132 - 144	112 - 128	164 - 176
HSR 5	M52 - M70	1500	18.5	176	148 - 167	134 - 165	187 - 206
HSR 6	M72 - M90	2500	33.0	219	167 - 180	172 - 205	216 - 235
HSR 7	M90 - M100	3200	47.0	252	186 - 199	230 - 242	241 - 254
HSR 8	M105 - M115	4100	63.5	283	199 - 212	255 - 270	264 - 277

* Other sizes on request.

The following electric motor pumps can be used for operation:

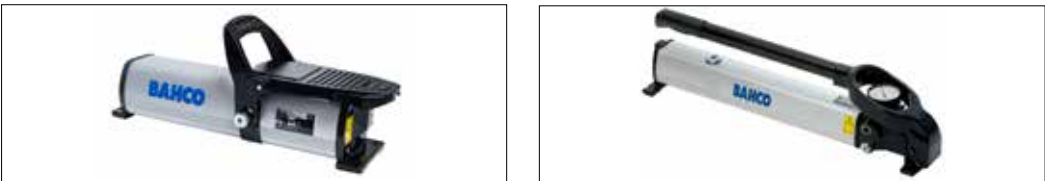
- Electric motor pump HEM 8/16 - 150-5
- Electric motor pump HEM 16 - 180-5
- Electric motor pump HEM 20 - 110-3



Suitable hydraulic pumps

The following hydraulic pumps can be used for operation:

- Air hydraulic pump PP150-1000
- Hydraulic pompe P 150-1000
- Hydraulic pompe PHS 150-1000



Please inquire about hoses and couplings separately.

BAHCO
DORTMUND

BAHCO GmbH & Co.KG

Martener Hellweg 60

DE- 44379 Dortmund

Phone

+49 231/91 72 11-0

Fax

+49 231/91 72 11-22

www.bahco.de

info@bahco.de

BAHCO