

WIRE CUTTER

BAHCO
DORTMUND



WIRE CUTTER SERIES TA14

Air hydraulic cutting tool for steel wire up to \varnothing 8 mm.

BAHCO



BAHCO GmbH & Co.KG

Martener Hellweg 60

DE- 44379 Dortmund

Phone

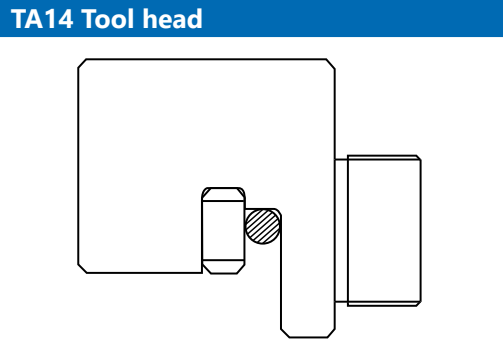
+49 231/91 72 11-0

Fax

+49 231/91 72 11-22

www.bahco.de

info@bahco.de



Dimensions

Drive unit Description	Weight kg	Cutt. pressure* kN	Length mm	Cylinder Ø mm	Max. Dim. Ø mm
TA14S-530	2.4	24	446	68	8
TA14S-730	4.0	40	446	86	8

Vibration level: < 2.5 m/s²
Noise level : 63 dB(A)

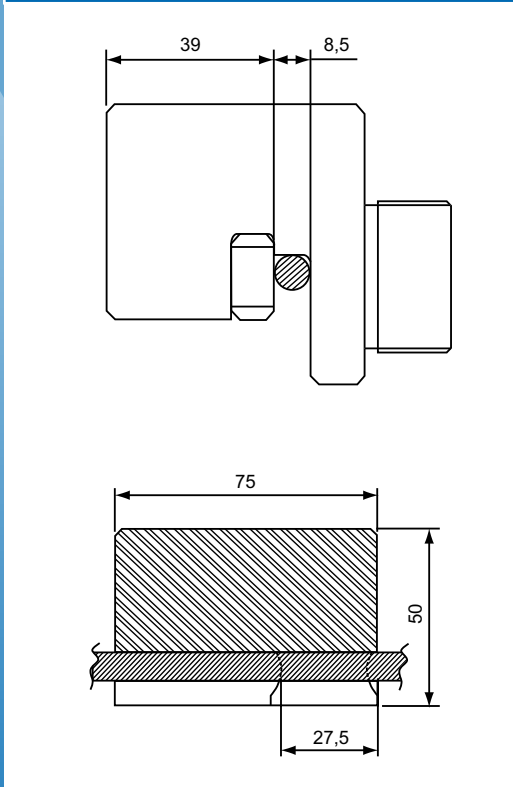


* At 6 bar (90 Psi) pressure

Application example



Technical drawing



All information subject to change without further notice.
No responsibility is taken for the correctness of the named specifications.