

WIRE CUTTER

BAHCO
DORTMUND



WIRE CUTTER SERIES TA15

Air hydraulic cutting tool for steel wire up to Ø 8 mm.

BAHCO



BAHCO GmbH & Co.KG

Martener Hellweg 60

DE- 44379 Dortmund

Phone

+49 231/91 72 11-0

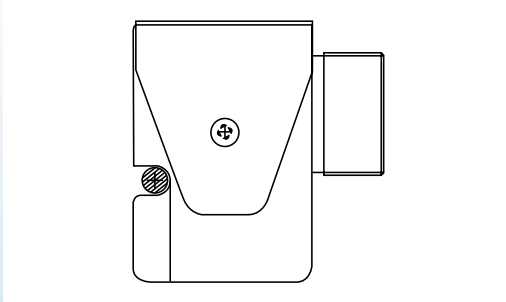
Fax

+49 231/91 72 11-22

www.bahco.de

info@bahco.de

TA15 Tool head



Dimensions

Drive unit Description	Weight kgs	Cutt. pressure* kN	Length mm	Cylinder Ø mm	Max. Dim. Ø mm
TA15-530	2,7	22	444	68	8
TA15-530L	2,9	22	1044	68	8

Vibrationsniveau: < 2.5 m/s²
Vibration level: < 2,5 m/s²

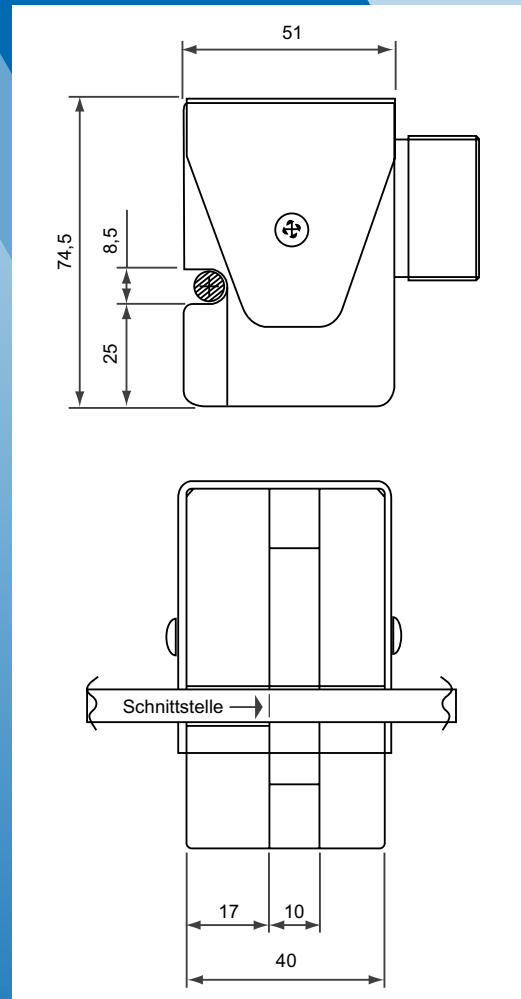
Noise level: 63 dB(A)



* At 6 bar (90 Psi) pressure



TA-15-530L is supplied with an extended tube for more flexible operating position.



All information subject to change without further notice.
No responsibility is taken for the correctness of the named specifications.