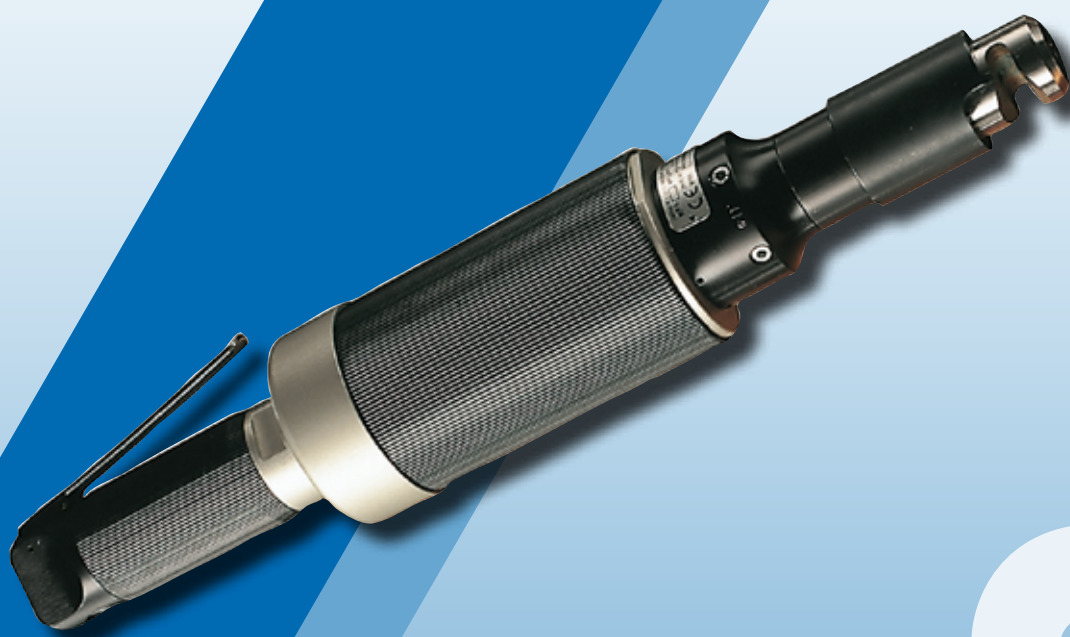


# WIRE CUTTER

**BAHCO**  
DORTMUND



## WIRE CUTTER SERIES TA 6

COMPRESSED AIR OPERATED CUTTING TOOL FOR  
STEEL WIRE UP TO Ø 6 MM.

**BAHCO**



**BAHCO GmbH & Co.KG**

Martener Hellweg 60

DE- 44379 Dortmund

**Phone**

+49 231/91 72 11-0

**Fax**

+49 231/91 72 11-22

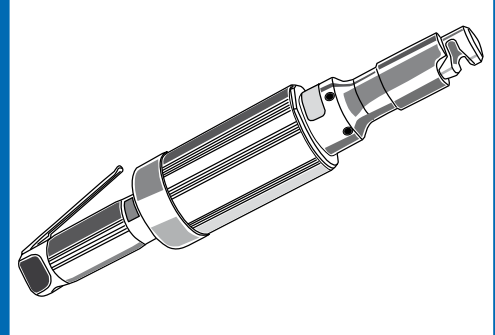
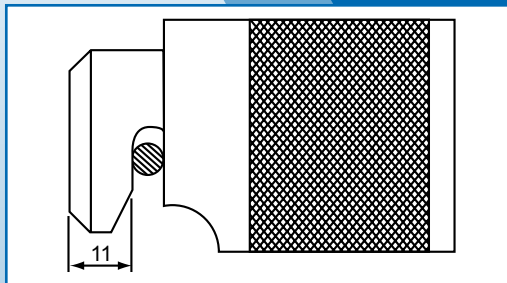
www.bahco.de

info@bahco.de

TA6 is an air hydraulic cutting tool. The design allows working with rapid strokes. TA6 is available for both, fixed workstations and mobile use. The tool is light weight and well-balanced at the same time to minimize the strain on the user.

Air hydraulic power also means that the tool runs silently and it's completely vibration-free. The tool has only few moving parts and has therefore an extremely high level of operational reliability.

**TA6 tool head**



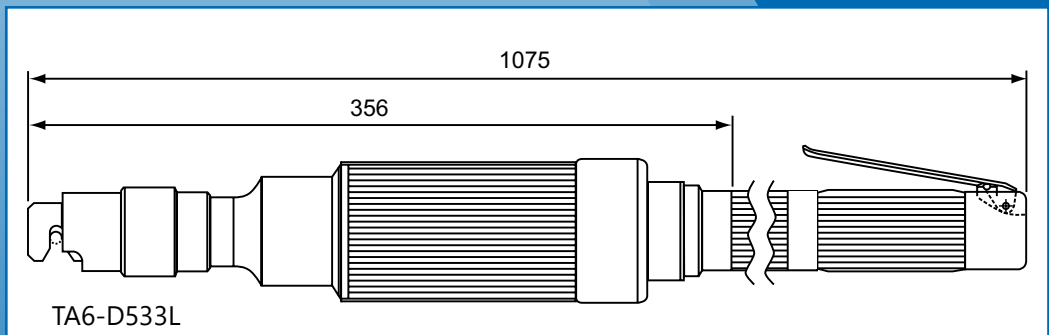
**Dimensions**

Drive unit	Weight kg	Cutting pressure* kN	Length mm	Cylinder Ø mm	Max. Dim. Ø mm
TA6-D433	1.5	16.6	280	60	6
TA6-D533	1.5	27.3	340	68	6
TA6-D533L	1.7	27.3	1075	68	6

Vibration level: < 2,5 m/s<sup>2</sup>  
Noise level: 63 dB(A)



\* At 6 bar (90 Psi) pressure



All information subject to change without further notice.  
No responsibility is taken for the correctness of the named specifications.