

FOLDING AND HOLE PUNCHING TOOLS

BAHCO
DORTMUND



FOLDING AND HOLE PUNCHING TOOLS SERIE FH2

Pneumatic combination tool for lap folding steel plate.

BAHCO



BAHCO GmbH & Co.KG

Martener Hellweg 60

DE- 44379 Dortmund

Phone

+49 231/91 72 11-0

Fax

+49 231/91 72 11-22

www.bahco.de

info@bahco.de

FH2 is an air hydraulic folding and hole punching tool. The design allows the user to work using rapid strokes and considerable force.

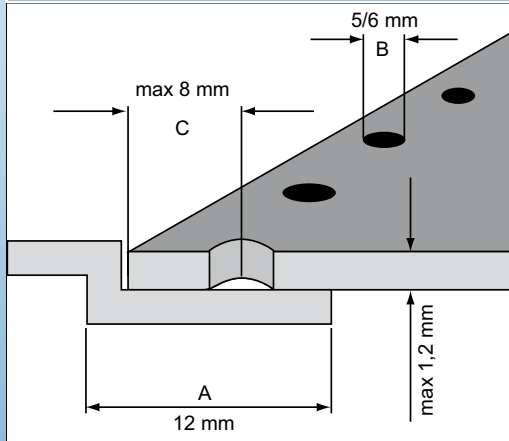
FH2 is designed for use in lap folding steel plate. The head can be turned through 360°, which makes access easy with the tool. The tool can be supplied with a Ø5 mm or Ø6 mm punch.

The tool is both light weight and well-balanced to minimize the strain on the

user. The air hydraulics also mean that the tool runs silently and is completely vibration-free.

The tool has few moving parts and has an extremely high level of operational reliability. And because we both design and manufacture the FH2 Folding and Hole Punching Tool ourselves, we can guarantee both a complete stock of spare parts and rapid service when required.

Technical drawing



Dimensions

FH2 Description	Punch Ø mm	Weight kgs	Length mm	Cylinder Ø mm
FH2/5-D227	5	1.1	200	52
FH2/6-D227	6	1.1	200	52

Vibration level: < 2,5 m/s²
Noise level: 63 dB(A)



* For pressure of 6 bar

All information subject to change without further notice.
No responsibility is taken for the correctness of the named specifications.