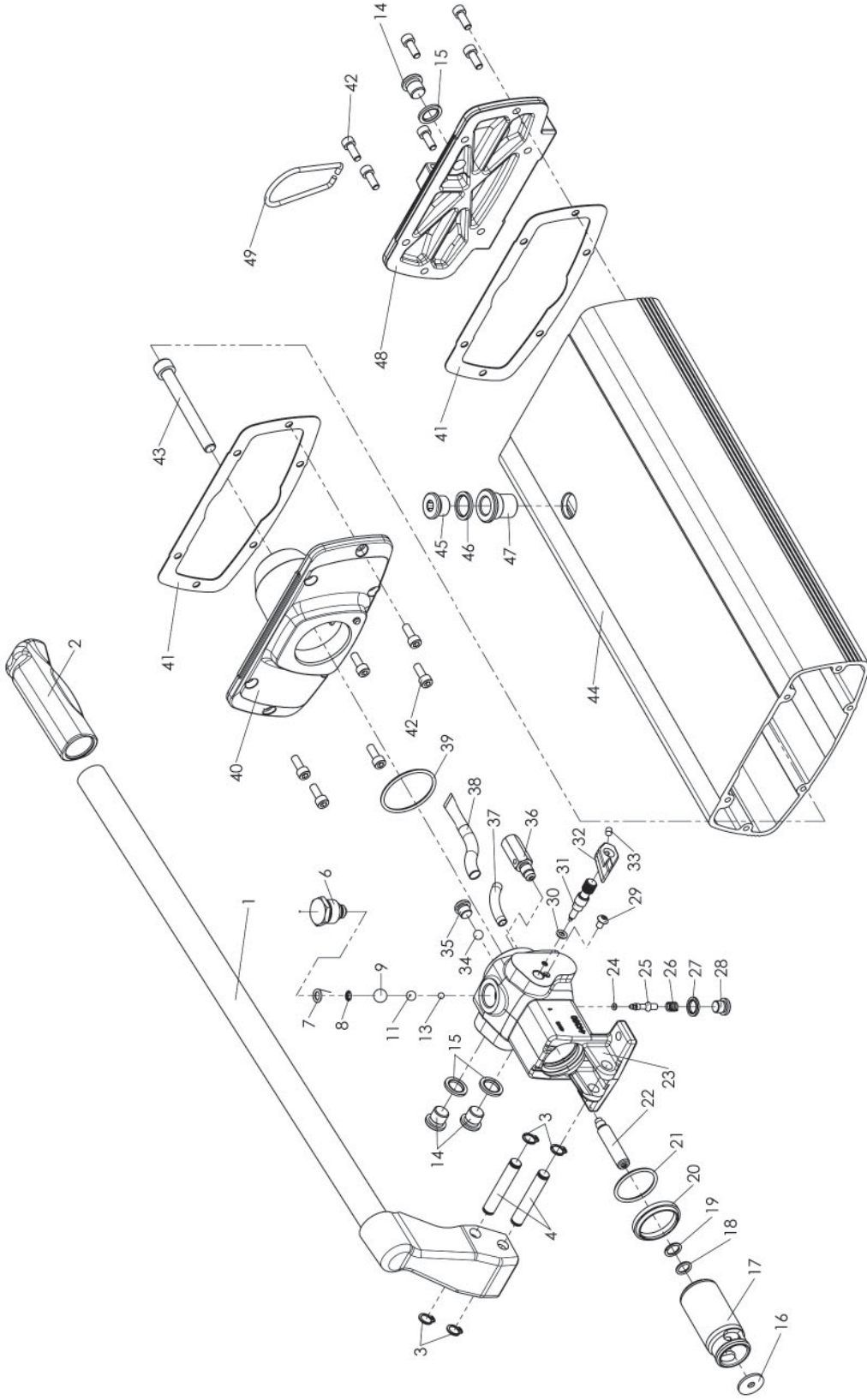


# HYDRAULIC-PUMP

Type: P70 - 4100 | P100-4100 | P150-4100



## Hydraulic-Pump - Spare Part List

Type  
**P70-4100 |**  
**P100-4100 | P150-4100**

**BAHCO GmbH & Co. KG**  
Martener Hellweg 60  
44379 Dortmund  
Phone: +49(0)231-91 72 11-0  
Fax: +49(0)231-91 72 11-22  
Internet: [www.bahco.de](http://www.bahco.de)  
E-Mail: [info@bahco.de](mailto:info@bahco.de)



Documentation commissioner: Andreas Bos  
Version: 03.2019

Spare Part List				
No.	Qty	Description	Part-No.	incl. in Kit
1	1	Handle	44693	[B]
2	1	Handle grip	44368	[B]
3	4	Track ring	14888	[B]
4	2	Axle	44381	[B]
6	1	Plug	44379	
7	1	O - Ring	01041940	[A D]
8	1	Spring	19277	[A D]
9	1	Ball	10412	[A D]
11	1	Ball	3740	[A D]
13	1	Ball	16947	[A D]
14	2	Plug	16536	[D]
15	2	Packing	17009	[A D]
16	1	Washer	44365	[D F]
17	1	Piston P70-	44371	[D F]
	1	Piston P100-   P150-	44373	[D F]
18	1	O - Ring	01041970	[A D F]
	1	O - Ring	01041940	[A D F]
19	1	Support ring P70-	34916	[A D F]
	1	Support ring P100-   P150-	01042040	[A D F]
20	1	Wiper	44692	[A D]
21	1	O - Ring	01040220	[A D]
22	1	Piston P70-	44372	[D F]
	1	Piston P100-   P150-	44374	[D F]
23	1	Valve body	45065	[D]
24	1	O - Ring	19458	[A D]
25	1	Piston	29353	[D]
26	1	Spring	29384	[A D]
27	1	Packing	14185	[A D]
28	1	Plug	14057	[D]
29	1	Screw	44460	[C D]
30	1	O - Ring	17741	[A C D]
31	1	Release screw	44382	[C D]
32	1	Knob	14548	[C D]
33	1	Screw	15994	[C D]
34	1	Ball	3740	[A D]
35	1	Plug	14057	[D]

Spare Part List				
No.	Qty	Description	Part-No.	incl. in Kit
36	1	Safety valve P70	44388	
36	1	Safety valve P100	44390	
36	1	Safety valve P150	44391	
37	1	Intake pipe	44364	[A D]
38	1	Strainer	17618	[A D]
39	1	O - ring	4072	[A D]
40	1	End plate, front	49988	[E]
41	2	Packing	49989	[A E]
42	12	Screw	01001440	[E]
43	1	Screw	50549	[E]
44	1	Oil container	49985	[E]
45	1	Plug	17676	[E]
46	1	Packing	16217	[A E]
47	1	Oil refill tube	44682	[E]
48	1	End plate, rear	49987	[E]
49	1	Yoke	44370	
	[A]	Incl. in Repair kit P70-   100-   150-4100	45066-3	
	[B]	Handle assembly, complete	45059	
	[C]	Release valve assembly, complete	45054	
	[D]	Pump unit, complete P70-	45060	
	[D]	Pump unit, complete P100-   150-	45055	
	[E]	Oil container, complete -4100	50617	
	[F]	Piston kit P70-	45062	
	[F]	Piston kit P100-   150-	45057	

BAHCO GmbH & Co. KG

Martener Hellweg 60  
44379 Dortmund  
Phone: +49(0)231-91 72 11-0  
Fax: +49(0)231-91 72 11-22  
Internet: www.bahco.de  
E-Mail: info@bahco.de

Hydraulic-Pump - Spare Part List

Type

P70-4100 |  
P100-4100 | P150-4100

**BAHCO**  
DORTMUND