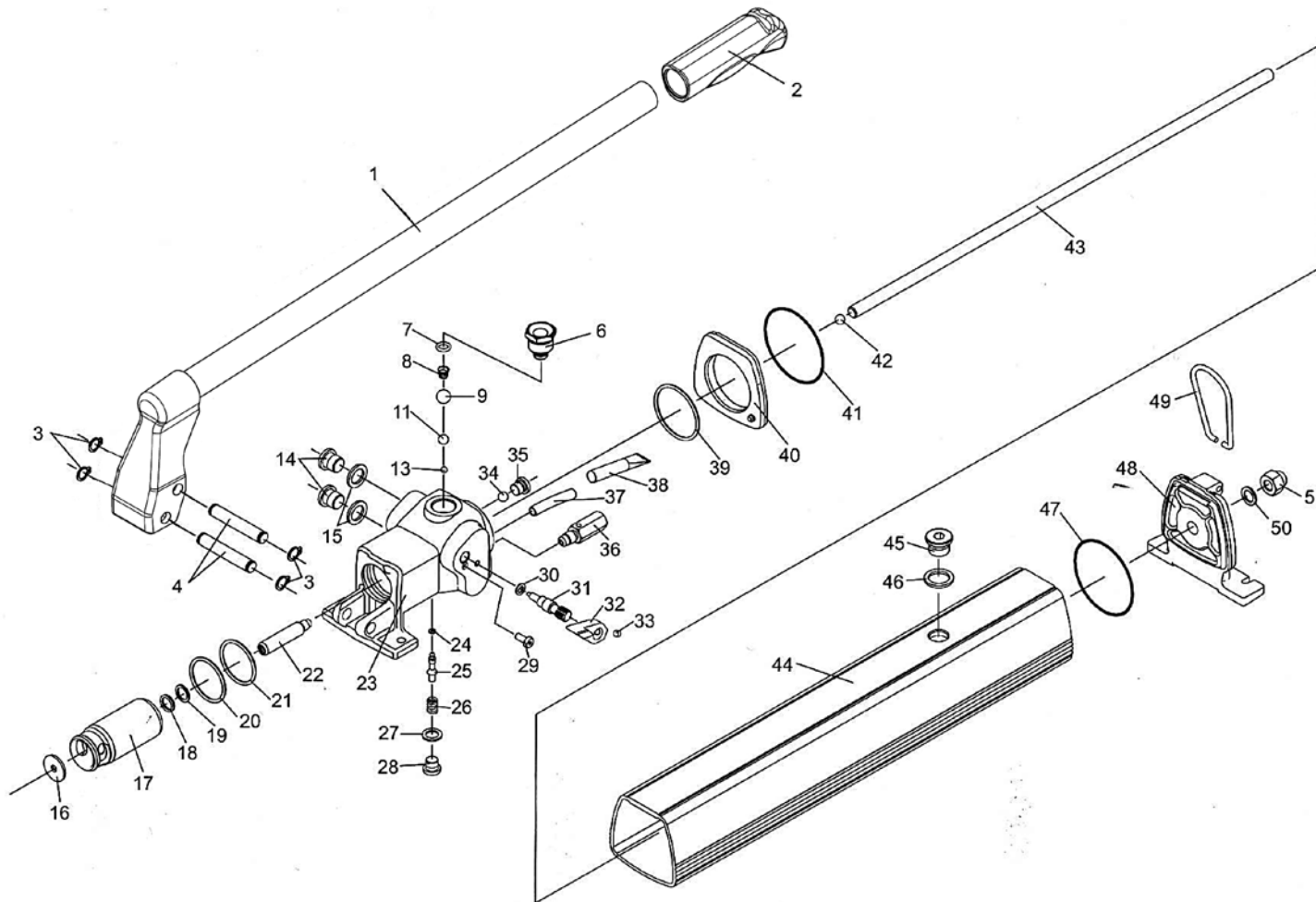


HYDRAULIC-PUMP

Type: P70 - 2400 | P100-2400 | P150-2400



Documentation commissioner: Andreas Bos
Version: 11.2020

BAHCO GmbH & Co. KG
Martener Hellweg 60
44379 Dortmund
Phone: +49(0)231-91 72 11-0
Fax: +49(0)231-91 72 11-22
Internet: www.bahco.de
E-Mail: info@bahco.de

Hydraulic-Pump - Spare Part List

Type
P70-2400 |
P100-2400 | P150-2400

BAHCO
DORTMUND

Spare Part List				
No.	Qty	Description	Part No.	incl. in Kit
1	1	Handle	44693	[B]
2	1	Handle grip	44368	[B]
3	4	Track ring	14888	[B]
4	2	Axle	44381	[B]
6	1	Plug	44379	
7	1	O - Ring	01041970	[AD]
8	1	Spring	19277	[AD]
9	1	Ball	10412	[AD]
11	1	Ball	3740	[AD]
13	1	Ball	16947	[AD]
14	2	Plug	16536	[D]
15	2	Packing	17009	[AD]
16	1	Washer	44365	[DF]
17	1	Piston P70-	44371	[DF]
	1	Piston P100- P150-	44373	[DF]
18	1	O - ring P70-	01041970	[ADF]
	1	O - ring P100- P150-	01041940	[ADF]
19	1	Support ring P70-	34916	[ADF]
	1	Support ring P100- P150-	01042040	[ADF]
20	1	Wiper	44692	[AD]
21	1	O - Ring	01040220	[AD]
22	1	Piston P70-	44372	[DF]
	1	Piston P100- P150-	44374	[DF]
23	1	Valve body	45065	[D]
24	1	O - Ring	19458	[AD]
25	1	Piston	29353	[D]
26	1	Spring	29384	[AD]
27	1	Packing	14185	[AD]
28	1	Plug	14057	[D]
29	1	Screw	44460	[CD]
30	1	O - Ring	17741	[ACD]
31	1	Release screw	44382	[CD]
32	1	Knob	14548	[CD]
33	1	Screw	15994	[CD]
34	1	Ball	3740	[AD]
35	1	Plug	14057	[D]

Spare Part List				
No.	Qty	Description	Part No.	incl. in Kit
36	1	Safety valve P70	44388	
36	1	Safety valve P100	44390	
36	1	Safety valve P150	44391	
37	1	Intake pipe	44364	[AD]
38	1	Strainer	17618	[AD]
39	1	O - Ring	4072	[AD]
40	1	End plate, front	44360	[E]
41	1	O - Ring	44399	[AE]
42	1	Ball	3740	[AE]
43	1	Screw	44362	[E]
44	1	Oil container	44357	[E]
45	1	Plug	17676	[E]
46	1	Packing	16217	[AE]
47	1	O - Ring	44399	[AE]
48	1	End plate, rear	44361	[E]
49	1	Yoke	44370	
50	1	Packing	14185	[AE]
51	1	Nut	44363	[E]
		[A] Incl. in Repair kit P70- P100- 150-2400	45066-2	
		[B] Handle assembly, complete	45059	
		[C] Release valve assembly, complete	45054	
		[D] Pump unit, complete P70-	45060	
		[D] Pump unit, complete P100-, P150-	45055	
		[E] Oil container, complete -2400	45073	
		[F] Piston kit P70-	45062	
		[F] Piston kit P100-, P150-	45057	

BAHCO GmbH & Co. KG
Martener Hellweg 60
44379 Dortmund
Phone: +49(0)231-91 72 11-0
Fax: +49(0)231-91 72 11-22
Internet: www.bahco.de
E-Mail: info@bahco.de

Hydraulic-Pump - Spare Part List

Type
**P70-2400 | P100-2400 |
P150-2400**

