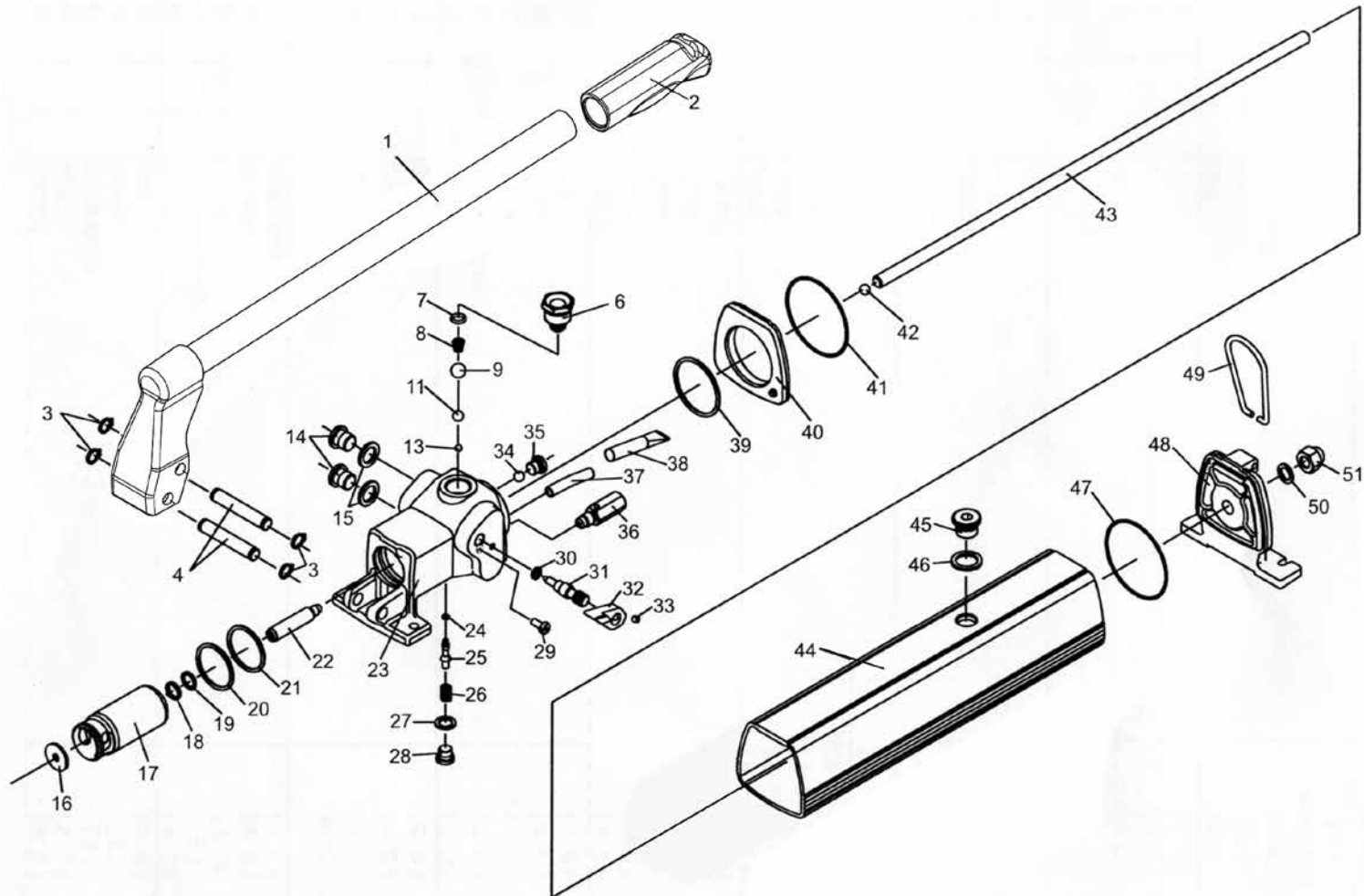




# HYDRAULIC-PUMP

Type: P70 - 300



Documentation commissioner: Andreas Bos  
Version: 11.2020

**BAHCO GmbH & Co. KG**  
Martener Hellweg 60  
44379 Dortmund  
Phone: +49(0)231-91 72 11-0  
Fax: +49(0)231-91 72 11-22  
Internet: [www.bahco.de](http://www.bahco.de)  
E-Mail: [info@bahco.de](mailto:info@bahco.de)

## Hydraulic-Pump - Spare Part List

Type  
**P70 - 300**

**BAHCO**  
DORTMUND

Pos.	Qty	Description	Part-No.	incl. in Kit
1	1	Handle	44694	[B]
2	1	Handle grip	44368	[B]
3	4	Track ring	14888	[B]
4	2	Axle	44381	[B]
6	1	Plug	44379	
7	1	O - ring	01041940	[A D]
8	1	Spring	19277	[A D]
9	1	Ball	10412	[A D]
11	1	Ball	3740	[A D]
13	1	Ball	16947	[A D]
14	2	Plug	16536	[D]
15	2	Packing	17009	[A D]
16	1	Washer	44365	[D F]
17	1	Piston	44371	[D F]
18	1	O - ring	01041970	[A D F]
19	1	Support ring	34916	[A D F]
20	1	Wiper	44692	[A D]
21	1	O - ring	01040220	[A D]
22	1	Piston	44372	[D F]
23	1	Valve body	45065	[D]
24	1	O - Ring	19458	[A D]
25	1	Piston	29353	[D]
26	1	Spring	29384	[A D]
27	1	Packing	14185	[A D]
28	1	Plug	14057	[D]
29	1	Screw	44460	[C D]
30	1	O - ring	17741	[A C D]
31	1	Release screw	44382	[C D]
32	1	Knob	14548	[C D]
33	1	Screw	15994	[C D]
34	1	Ball	3740	[D]
35	1	Plug	14057	[D]
36	1	Safety valve P70	44388	
37	1	Intake pipe	44364	[D]

Pos.	Qty	Description	Part-No.	incl. in Kit
38	1	Strainer	17618	[D]
39	1	O - ring	4072	[A D]
40	1	End plate, front	44358	[E]
41	1	O - ring	44398	[A E]
42	1	Ball	3740	[E]
43	1	Screw	44362	[E]
44	1	Oil container	44354	[E]
45	1	Plug	17676	[E]
46	1	Packing	16217	[A E]
47	1	O - ring	44398	[A E]
48	1	End plate, rear	44359	[E]
49	1	Yoke	44370	
50	1	Packing	14185	[A E]
51	1	Nut	44363	[E]
	[ A ]	Only available in Repair kit	45066-1	
	[ B ]	Handle assembly, complete	45053	
	[ C ]	Release valve assembly, complete	45054	
	[ D ]	Pump unit, complete	45060	
	[ E ]	Tank assembly, complete	45071	
	[ F ]	Piston kit	45062	

**BAHCO GmbH & Co. KG**  
Martener Hellweg 60  
44379 Dortmund  
Phone: +49(0)231-91 72 11-0  
Fax: +49(0)231-91 72 11-22  
Internet: www.bahco.de  
E-Mail: info@bahco.de

**Hydraulic-Pump - Spare Part List**

Type  
**P70 - 300**

**BAHCO**  
DORTMUND