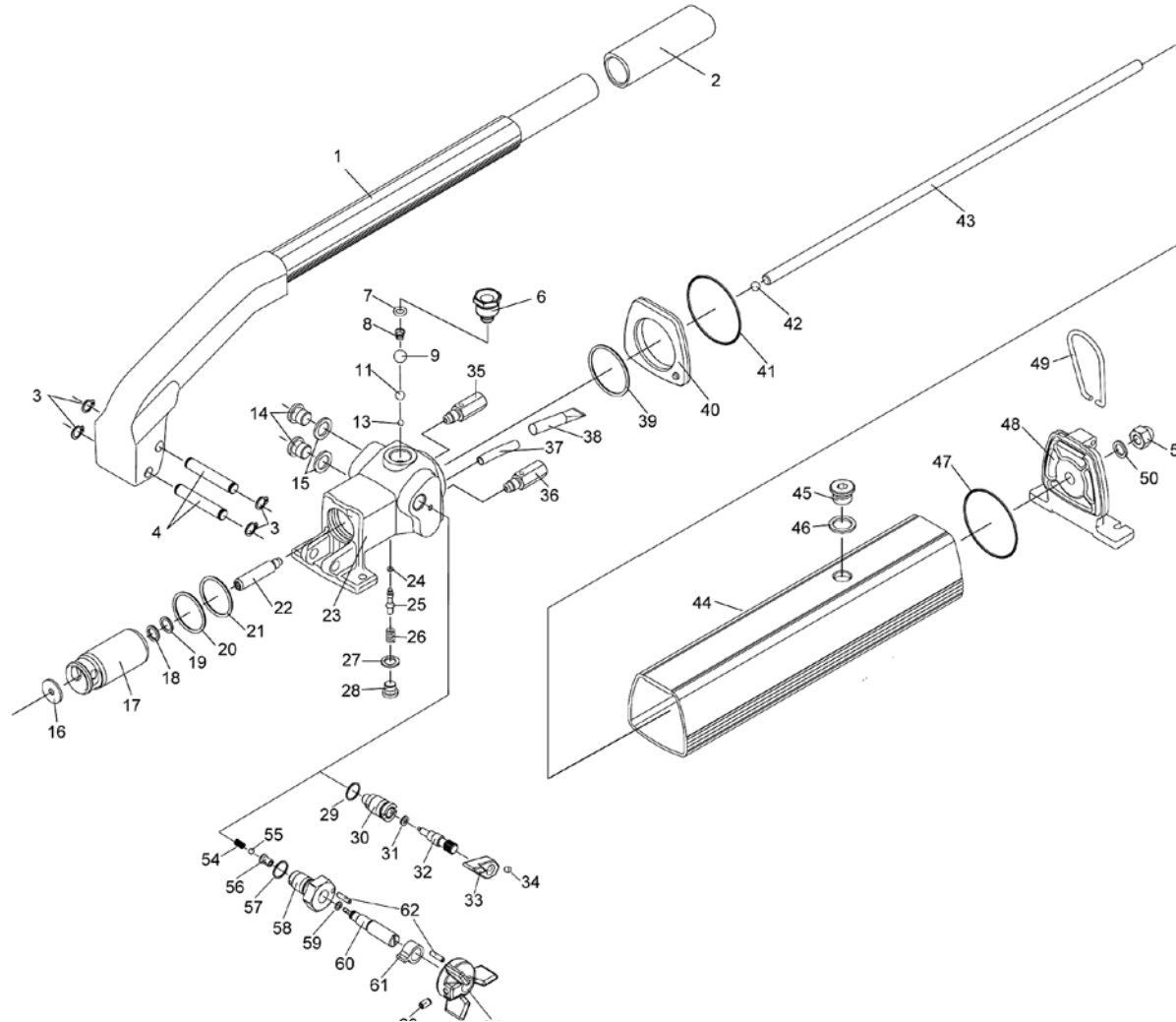


HYDRAULIC-PUMP

Type: P80-300F



Documentation commissioner: Andreas Bos
Version: 01.2023

BAHCO GmbH & Co. KG
Martener Hellweg 60
44379 Dortmund
Phone: +49(0)231-91 72 11-0
Fax: +49(0)231-91 72 11-22
Internet: www.bahco.de
E-Mail: info@bahco.de

Hydraulic-Pump - Spare Part List

Type
P80-300F



No.	Qty	Description	Part-No.	incl. in Kit
1	1	Handle	44694	[B]
2	1	Handle grip	44368	[B]
3	4	Track ring	14888	[B]
4	2	Axle	44381	[B]
6	1	Plug	44379	
7	1	O - ring	01041940	[AD]
8	1	Spring	19277	[AD]
9	1	Ball	10412	[AD]
11	1	Ball	3740	[AD]
13	1	Ball	16947	[AD]
14	2	Plug	16536	[D]
15	2	Packing	17009	[AD]
16	1	Washer	44365	[DF]
17	1	Piston	44371	[DF]
18	1	O - ring	01041970	[ADF]
19	1	Support ring	34916	[ADF]
20	1	Wiper	44692	[AD]
21	1	O - ring	01040220	[AD]
22	1	Piston	44372	[DF]
23	1	Valve body	45051	[D]
24	1	O - ring	19458	[AD]
25	1	Piston	29353	[D]
26	1	Spring	29384	[AD]
27	1	Packing	14185	[AD]
28	1	Plug	14057	[D]
29	1	O - ring	01040630	[ACD]
30	1	Bushing	40113001	[CD]
31	1	O - ring	17741	[ACD]
32	1	Release screw	44382	[CD]
33	1	Knob	14548	[CD]
34	1	Screw	15994	[CD]
35	1	Safety valve 950 bar	44689	
36	1	Safety valve 800 bar	44389	
37	1	Intake pipe	44364	[AD]
38	1	Strainer	17618	[AD]
39	1	O - ring	4072	[AD]

No.	Qty	Description	Part-No.	incl. in Kit
40	1	End plate, front	44358	[E]
41	1	O - Ring	44398	[AE]
42	1	Ball	3740	[E]
43	1	Screw	44362	[E]
44	1	Oil container	44354	[E]
45	1	Plug	17676	[E]
46	1	Packing	01044540	[AE]
47	1	O - Ring	44398	[AE]
48	1	End plate, rear	44359	[E]
49	1	Yoke	44370	
50	1	Packing	14185	[AE]
51	1	Nut	44363	[E]
54	1	Spring	10100519	[ACD]
55	1	Ball	11343	[ACD]
56	1	Cone	40113013	[CD]
57	1	O - ring	01040630	[ACD]
58	1	Bushing	40113011	[CD]
59	1	O - ring	01040540	[ACD]
60	1	Spider	40113012	[CD]
61	1	Wiper	40112028	[CD]
62	2	Pin	33377	[CD]
63	1	Screw	01004930	[CD]
64	1	Knob	40111008	[CD]
		[A]	Only available in Repair kit	45066-1F
		[B]	Handle assembly, complete	45053
		[D]	Release valve assembly, complete P80 - 300F	45068
		[F]	Pump unit, complete P80 - 300F	45070
		[G]	Oil container, complete -300	45071
		[H]	Piston kit P80-	45062

BAHCO GmbH & Co. KG

Martener Hellweg 60
44379 Dortmund
Phone: +49(0)231-91 72 11-0
Fax: +49(0)231-91 72 11-22
Internet: www.bahco.de
E-Mail: info@bahco.de

Hydraulic-Pump - Spare Part List

Type
P80-300F

BAHCO
DORTMUND