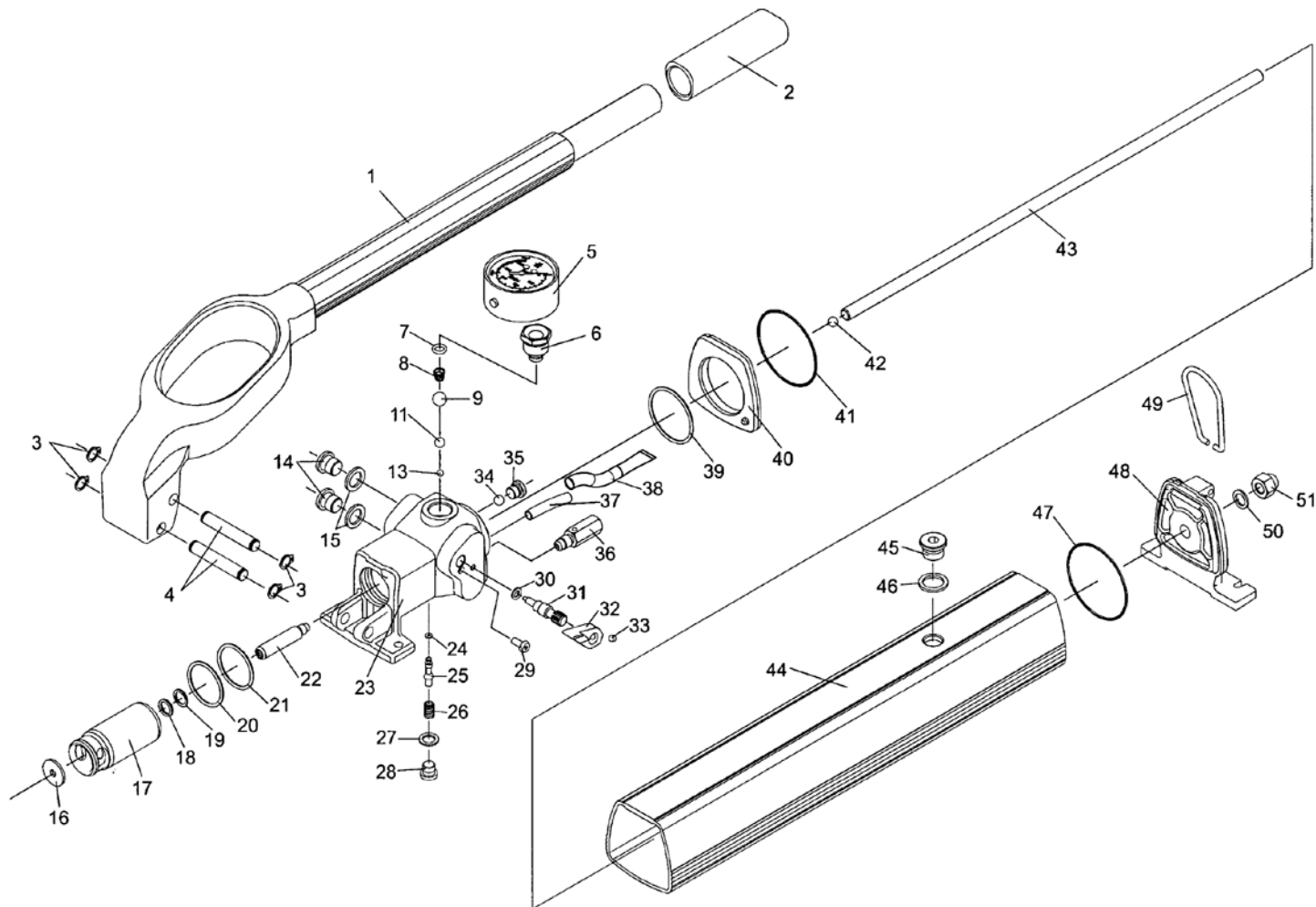


# HYDRAULIC-PUMP

## Type: PHS-100-300



Documentation commissioner: Andreas Bos  
Version: 01.2023

**BAHCO GmbH & Co. KG**  
Martener Hellweg 60  
44379 Dortmund  
Phone: +49(0)231-91 72 11-0  
Fax: +49(0)231-91 72 11-22  
Internet: [www.bahco.de](http://www.bahco.de)  
E-Mail: [info@bahco.de](mailto:info@bahco.de)

### Hydraulic-Pump - Spare Part List

Type  
**PHS100-300**

**BAHCO**  
DORTMUND

No.	Qty	Description	Part-No.	incl. in Kit
1	1	Handle	44369	[B]
2	1	Handle grip	44368	[B]
3	4	Track ring	14888	[B]
4	2	Axle	44381	[B]
5	1	TX104-160M, 0-160 MPa	38831500	
5	1	TX104-1600, 0-1600 bar (optional)	38831510	
6	1	AAM18 Gauge adapter	38443800	
7	1	O - Ring	01041940	[AD]
8	1	Spring	19277	[AD]
9	1	Ball	10412	[AD]
11	1	Ball	3740	[AD]
13	1	Ball	16947	[AD]
14	2	Plug	16536	[D]
15	2	Packing	17009	[AD]
16	1	Washer	44365	[DF]
17	1	Piston	44373	[DF]
18	1	O - Ring	01041940	[ADF]
19	1	Support ring	01042040	[ADF]
20	1	Wiper	44692	[AD]
21	1	O - Ring	01040220	[AD]
22	1	Piston	44374	[DF]
23	1	Valve housing	45051	
24	1	O - Ring	19458	[AD]
25	1	Piston	29353	[D]
26	1	Spring	29384	[AD]
27	1	Packing	14185	[AD]
28	1	Plug	14057	[D]
29	1	Screw	44460	[CD]
30	1	O - Ring	17741	[ACD]
31	1	Release screw	44382	[CD]
32	1	Knob	14548	[CD]
33	1	Screw	15994	[CD]
34	1	Ball	3740	[D]
35	1	Plug	14057	[D]
36	1	Safety valve PHS100	44390	

No.	Qty	Description	Part-No.	incl. in Kit
37	1	Intake pipe	44364	[D]
38	1	Strainer	17618	[D]
39	1	O - Ring	4072	[AD]
40	1	End plate, front	44358	[E]
41	1	O - Ring	44398	[AE]
42	1	Ball	3740	[E]
43	1	Screw	44362	[E]
44	1	Oil container	44356	[E]
45	1	Plug	17676	[E]
46	1	Packing	16217	[AE]
47	1	O - Ring	44398	[AE]
48	1	End plate, rear	44359	[E]
49	1	Yoke	44370	
50	1	Packing	14185	[AE]
51	1	Nut	44363	[E]
	[A]	Only available in Repair kit	45066-1	
	[B]	Handle assembly, complete	45052	
	[C]	Release valve assembly, complete	45054	
	[D]	Pump unit, complete PHS100-	45055	
	[E]	Oil container, complete -300	45056	
	[F]	Piston kit PHS100-/150-	45057	

**BAHCO GmbH & Co. KG**  
Martener Hellweg 60  
44379 Dortmund  
Phone: +49(0)231-91 72 11-0  
Fax: +49(0)231-91 72 11-22  
Internet: www.bahco.de  
E-Mail: info@bahco.de

#### Hydraulic-Pump - Spare Part List

Type  
**PHS100-300**

**BAHCO**  
DORTMUND