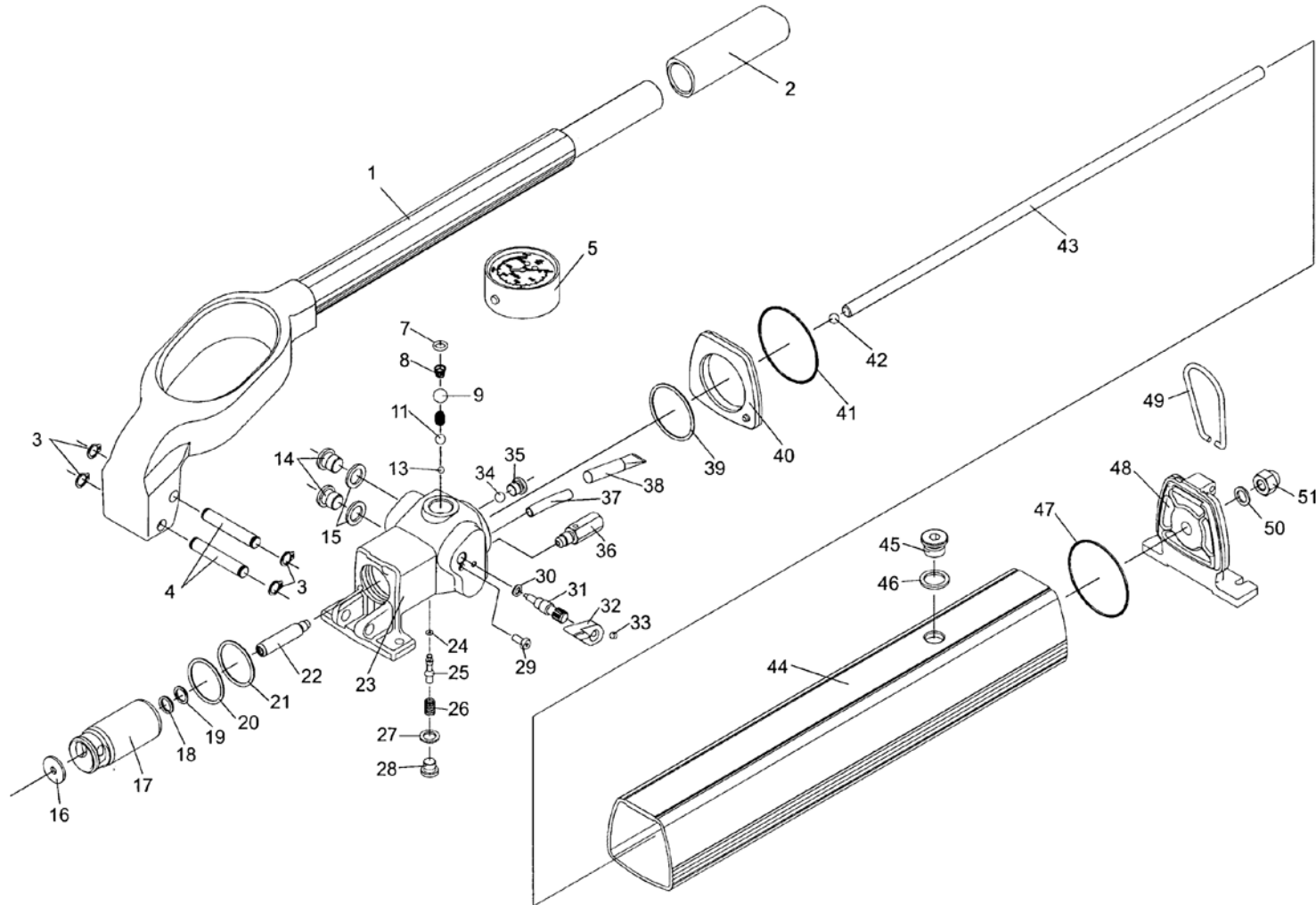


HYDRAULIC-PUMP

Type: PHS150-1000L



Documentation commissioner: Andreas Bos
Version: 01.2023

BAHCO GmbH & Co. KG
Martener Hellweg 60
44379 Dortmund
Phone: +49(0)231-91 72 11-0
Fax: +49(0)231-91 72 11-22
Internet: www.bahco.de
E-Mail: info@bahco.de

Hydraulic-Pump - Spare part List

Type
PHS150-1000L

BAHCO
DORTMUND

No.	Qty	Description	Article-No.	Article-No.
1	1	Lever	45035	[B]
2	1	Grip	44368	[B]
3	4	Track Ring	14888	[B]
4	2	Axle	44381	[B]
5	1	AMT151 Gauge	38450360	
7	1	O - Ring	01041940	[AD]
8	1	Spring	19277	[AD]
9	1	Ball	10412	[AD]
11	1	Ball	3740	[AD]
13	1	Ball	16947	[AD]
14	2	Plug	16536	[D]
15	2	Packing	17009	[AD]
16	1	Washer	44365	[DF]
17	1	Piston	44373	[DF]
18	1	O - Ring	01041940	[ADF]
19	1	Support Ring	01042040	[ADF]
20	1	Wiper	44692	[AD]
21	1	O - Ring	01040220	[AD]
22	1	Piston	44374	[DF]
23	1	Valve Housing	45051	
24	1	O - Ring	19458	[AD]
25	1	Piston	29353	[D]
26	1	Spring	29384	[AD]
27	1	Packing	14185	[AD]
28	1	Plug	14057	[D]
29	1	Screw	44460	[CD]
30	1	O - Ring	17741	[ACD]
31	1	Release Screw	44382	[CD]
32	1	Knob	14548	[CD]
33	1	Screw	15994	[CD]
34	1	Ball	3740	[D]
35	1	Plug	14057	[D]
36	1	Safety Valve PHS150	44391	
37	1	Intake Pipe	44364	[D]
38	1	Filter	17618	[D]
39	1	O - Ring	4072	[AD]

No.	Qty	Description	Article-No.	Article-No.
40	1	Front Plate	44358	[E]
41	1	O - Ring	44398	[AE]
42	1	Ball	3740	[E]
43	1	Screw	44362	[E]
44	1	Oil Container	44356	[E]
45	1	Plug	17676	[E]
46	1	Packing	16217	[AE]
47	1	O - Ring	44398	[AE]
48	1	Rear Plate	44359	[E]
49	1	Yoke	44370	
50	1	Packing	14185	[AE]
51	1	Nut	44363	[E]
	[A]	Only available in Repair kit	45066-1	
	[B]	Lever, cpl.	45592	
	[C]	Release Valve, cpl.	45054	
	[D]	Pump Unit, cpl. PHS150-	45055	
	[E]	Oil Container, cpl. -1000	45061	
	[F]	Piston kit PHS150-	45057	

BAHCO GmbH & Co. KG
Martener Hellweg 60
44379 Dortmund
Phone: +49(0)231-91 72 11-0
Fax: +49(0)231-91 72 11-22
Internet: www.bahco.de
E-Mail: info@bahco.de

Hydraulic-Pump - Spare part List
Type
PHS150-1000L

