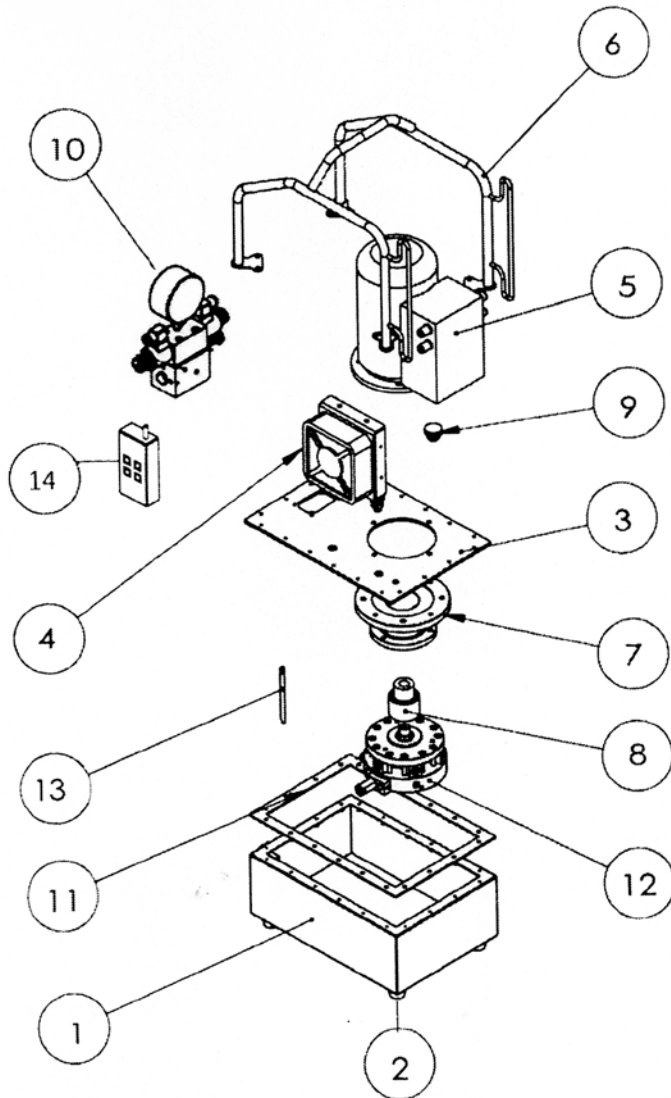
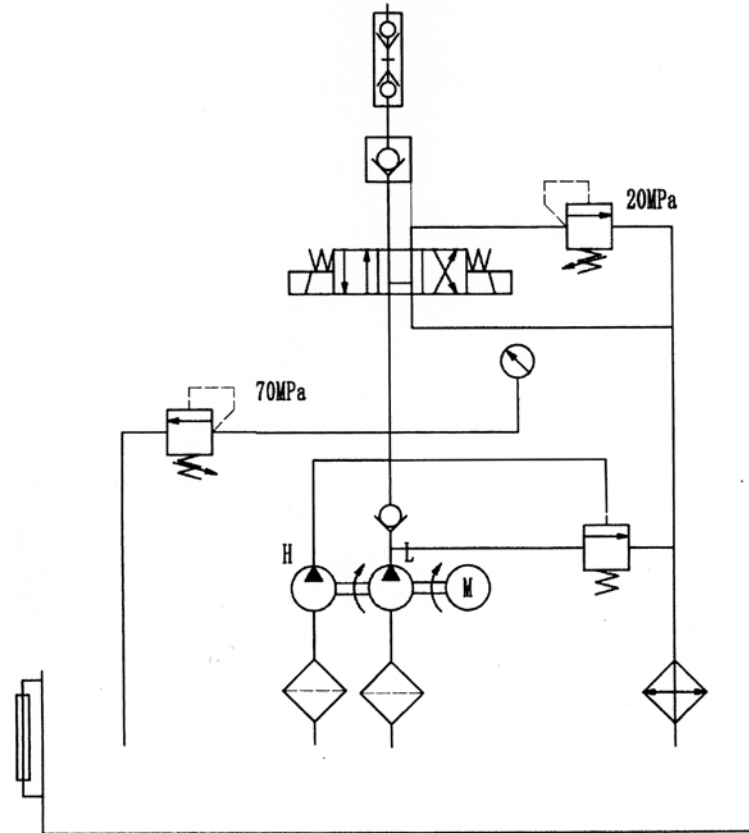


ELECTRIC-MOTOR-PUMP Type: PME 1S-6VE

Explosion drawing



Hydraulic-Circuit



Technical data

Pos.-No.	Description	Qty
1	Oil tank	1
2	Rubber feet	4
3	Oil tank plug	1
4	Cooling system	1
5	Control box	1
6	Safety frame	1
7	Flange plate	1
8	Coupling	1
9	Oil filling plug	1
10	Solenoid valve with gauge	1
11	Oil tank packing	1
12	Pump unit	1
13	Oil temperature gauge	1
14	Remote control	1

Documentation commissioner:
Andreas Bos
Version: 01.08.2022

BAHCO GmbH & Co. KG
Martener Hellweg 60
44379 Dortmund
Phone: +49(231) 91 72 11-0
Fax: +49(231) 91 72 11-20
Internet: www.bahco.de
E-Mail: info@bahco.de

Electric-Motor-Pump Spare Part List

Type
PME 1S-6VE

BAHCO
DORTMUND