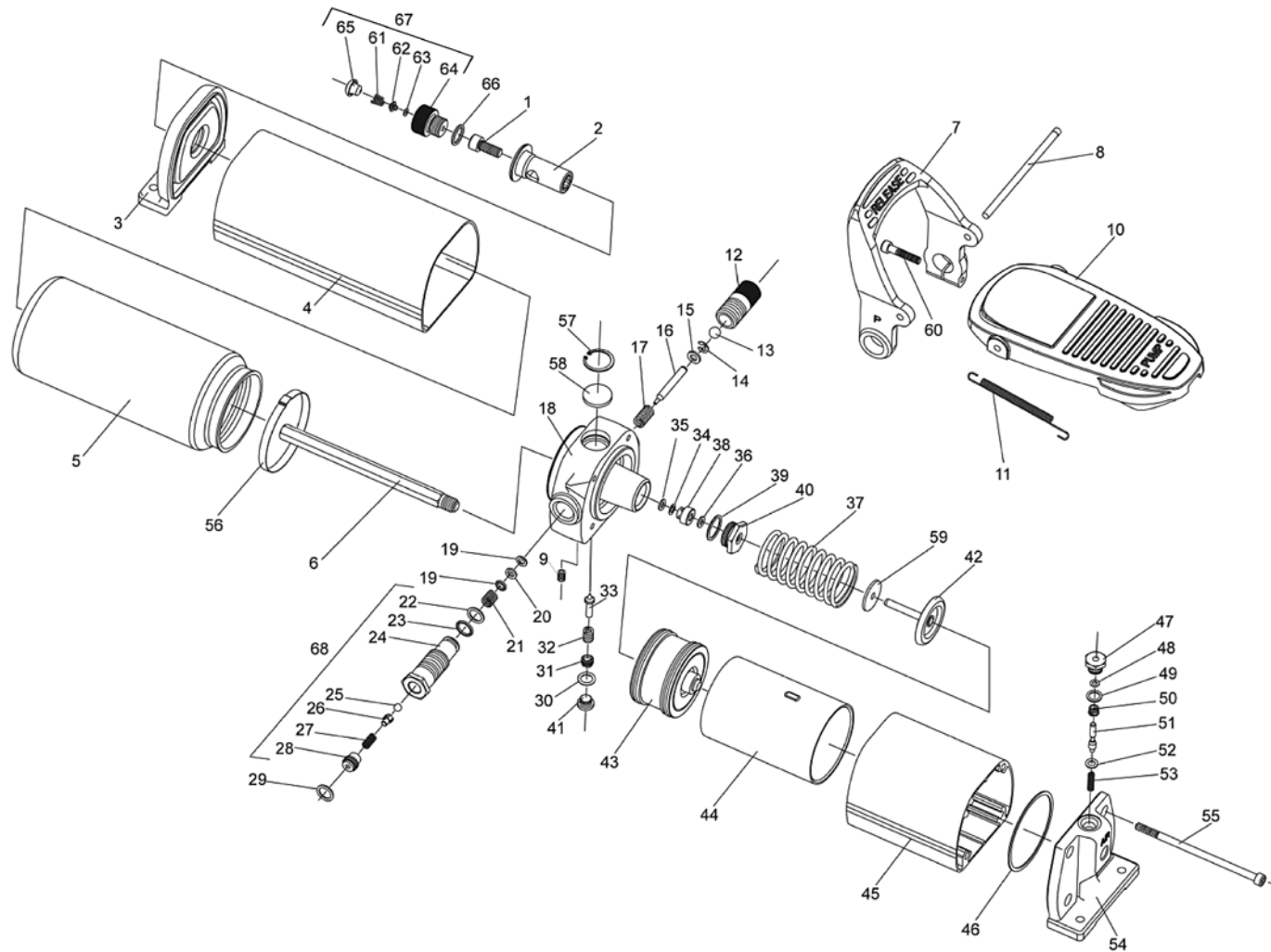


HYDRAULIC-PUMP

Type: PP63B- | PP70B- | PP80B- | PP100B-1000



Documentation commissioner: Andreas Bos
Version: 03.2019

BAHCO GmbH & Co. KG
Martener Hellweg 60
44379 Dortmund
Phone: +49(0)231-91 72 11-0
Fax: +49(0)231-91 72 11-22
Internet: www.bahco.de
E-Mail: info@bahco.de

Hydraulic-Pump - Spare Part List

Type
**PP63B- | PP70B- | PP80B-
PP100B-1000**

BAHCO
DORTMUND

Spare Part Liste				
No.	Qty	Description	Part-No.	Part-No.
1	1	Screw	01001620	
2	1	Bracket	42241	
3	1	End plate, rear	42236	
4	1	Tank tube	49248	
5	1	Oil tank	42245	
6	1	Screw	42244	
7	1	Release pedal	42233	
8	1	Axle	37238	
9	1	Crew	23115	
10	1	Foot pedal	42234	
11	2	Spring	37240	
12	1	Release screw	42232	
13	1	Ball	5640	
14	1	Track ring	37242	
15	1	Washer	01017590	
16	1	Needle	37243	
17	1	Spring	22878	
18	1	Valve housing PP80/100-	42462	
	1	Valve housing PP63/70-	42229	
19	2	Support ring	*	01042020
20	1	O - Ring	*	17741
21	1	Spring	22877	
22	1	O - Ring	*	37245
23	1	Support ring	*	01042080
24	1	Valve cartridge	37246	
25	1	Ball	01050060	
26	1	Guide	49255	
27	1	Spring	15238	
28	1	Screw	26402	
29	1	Packing	*	17009
30	1	Packing	*	14185
31	1	Screw	14143	
32	1	Spring	42392	
33	1	Needle	17925	

Spare Part Liste				
No.	Qty	Description	Part-No.	Part-No.
34	1	Support ring PP80/100-	*	42460
	1	Support ring PP63/70-	*	37250
35	1	O - Ring PP80/100-	*	17742
	1	O - Ring PP63/70-	*	19708
36	1	Packing PP80/100-	*	49256
	1	Packing PP63/70-	*	49253
37	1	Spring	47697	
38	1	Bushing PP80/100-	49245	
	1	Bushing PP63/70-	49241	
39	1	O - Ring	*	20089
40	1	Bushing PP80/100-	49244	
	1	Bushing PP63/70-	49240	
41	1	Plug	42225	
42	1	Piston PP80/100-	49247	
	1	Piston PP63/70-	49243	
43	1	Piston	42395	
44	1	Cylinder tube	42227	
45	1	Container	49249	
46	1	Seal	*	29212
47	1	Nipple	37253	
48	1	O - Ring	*	20890
49	1	O - Ring	*	15030
50	1	Washer	42454	
51	1	Valve	37256	
52	1	O - Ring	*	42223
53	1	Spring	20662	
54	1	End plate, front	42455	
55	4	Screw	17747	
56	1	Hose clamp	37258	
57	1	Track ring	40181	

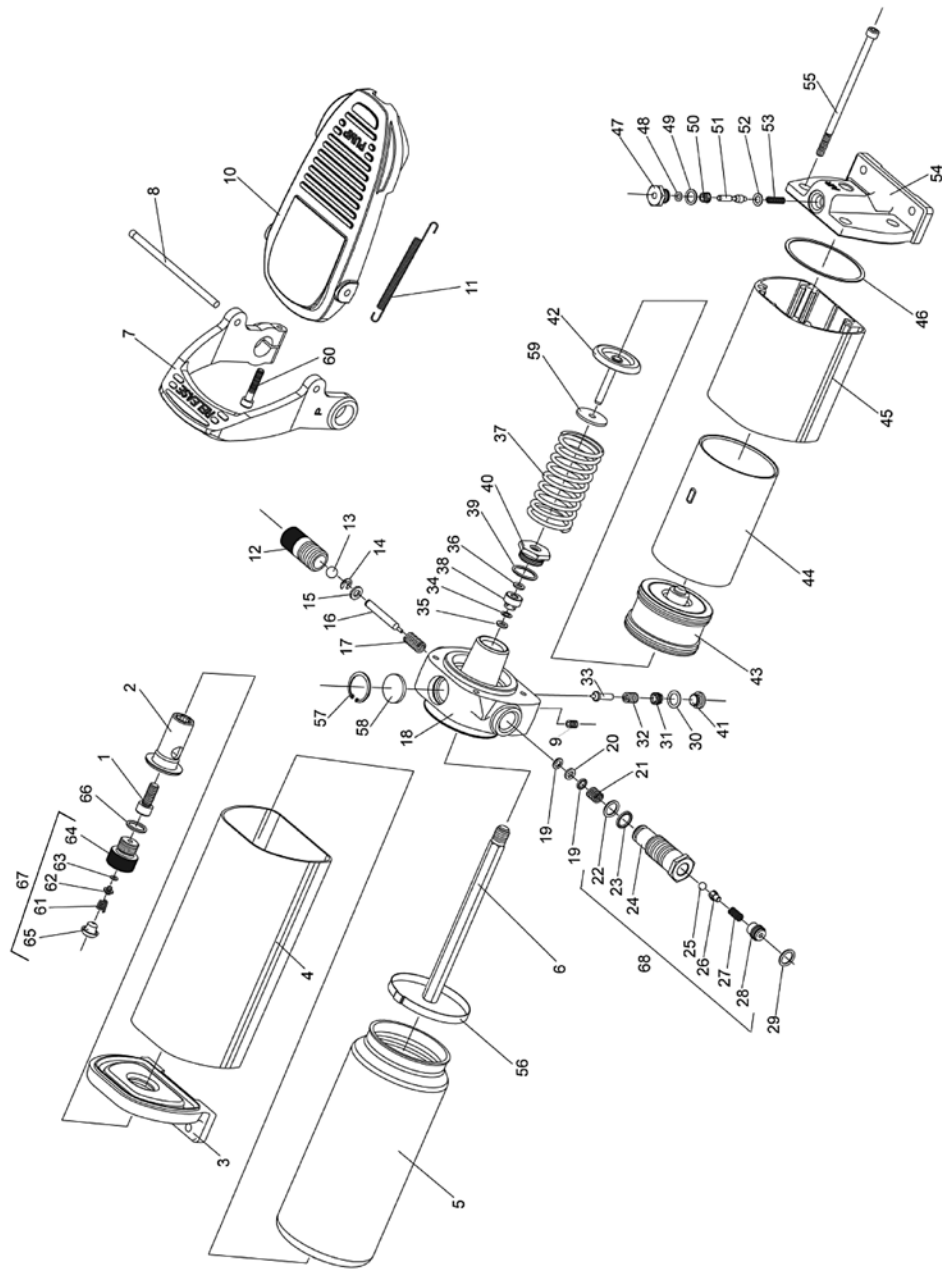
BAHCO GmbH & Co. KG

Martener Hellweg 60
44379 Dortmund
Phone: +49(0)231-91 72 11-0
Fax: +49(0)231-91 72 11-22
Internet: www.bahco.de
E-Mail: info@bahco.de

Hydraulic-Pump - Spare Part List

Type
**PP63B- | PP70B- | PP80B-
PP100B-1000**

BAHCO
DORTMUND



Spare Part Liste				
No.	Qty	Description	Part-No.	Part-No.
58	1	Filter	25053	
59	1	Damper	*	40440
60	1	Screw	01001490	
61	1	Spring	42247	
62	1	Guide	42248	
63	1	O - Ring		01040520
64	1	Oil plug	49251	
65	1	Plug	49250	
66	1	O - Ring	*	8100
67	1	Oil plug, cpl., Pos. 61 - 65	42242	
68	1	Valve cartridge, cpl., Pos. 22 - 28	46510	
		Seal kit	42465	
		* included in Seal kit		

BAHCO GmbH & Co. KG

Martener Hellweg 60
 44379 Dortmund
 Phone: +49(0)231-91 72 11-0
 Fax: +49(0)231-91 72 11-22
 Internet: www.bahco.de
 E-Mail: info@bahco.de

Hydraulic-Pump - Spare Part List

Type
**PP63B- | PP70B- | PP80B-
 PP100B-1000**

