

700 BAR

BAHCO
DORTMUND



**ELECTRIC MOTOR PUMP
SERIES PME35RH**

BAHCO



BAHCO GmbH & Co.KG

Martener Hellweg 60

DE- 44379 Dortmund

Phone

+49 231/91 72 11-0

Fax

+49 231/91 72 11-22

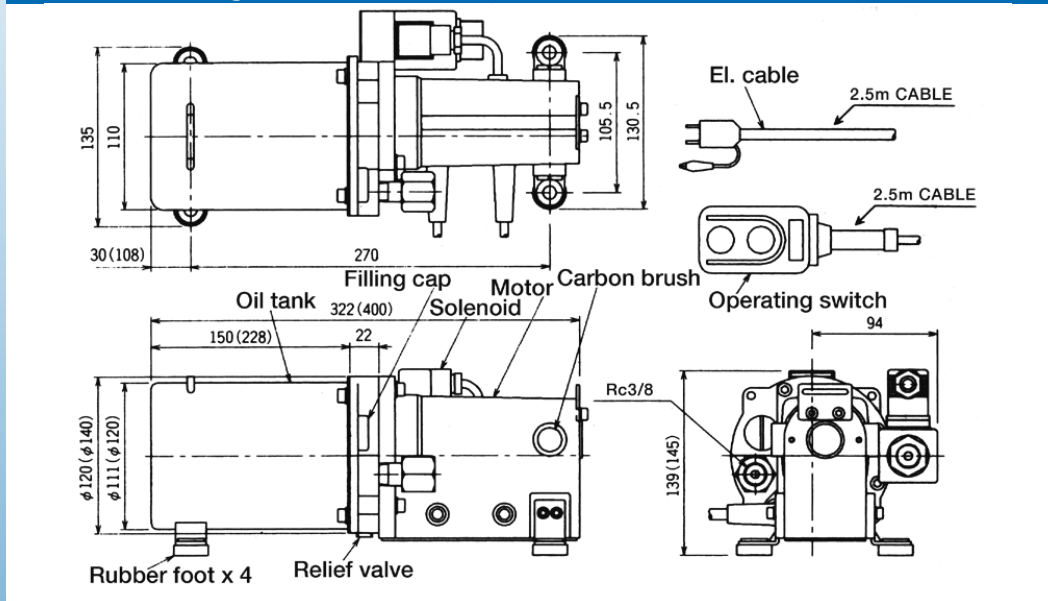
www.bahco.de

info@bahco.de

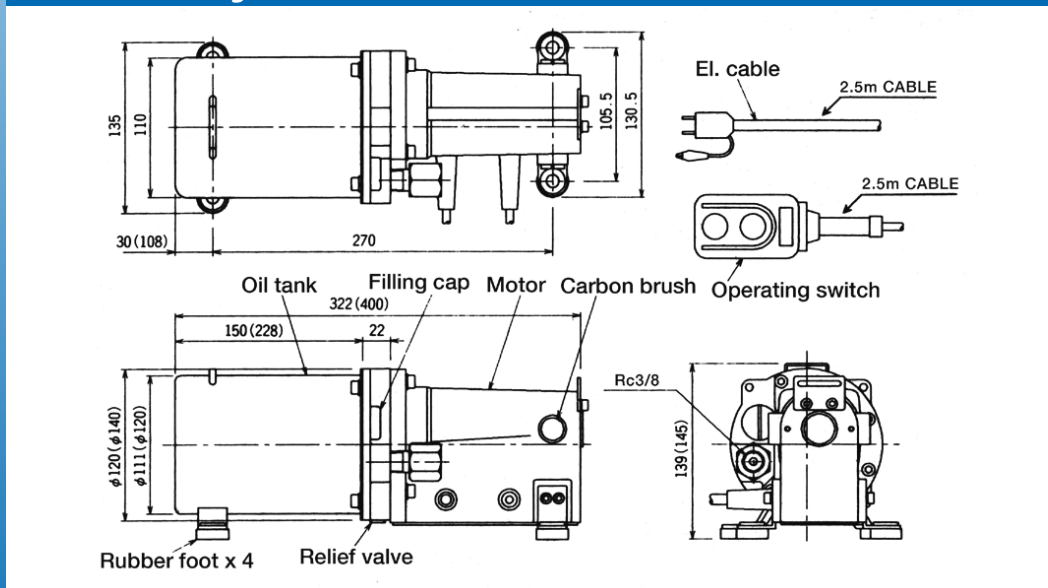
Dimensions

Technical Data	PME 35RH-IN-1	PME 35RH-IN-2	PME 35RH-NO-1	PME 35RH-NO-2
Operating pressure: up to 800 bar	•	•	•	•
Flow: Low pressure 2.0 l/min High pressure 0.2 l/min	•	•	•	•
Valve	3/3-Way	3/3-Way	2/2-Way	2/2-Way
Oil volume, available	0.8 l	1.6 l	0.8 l	1.6 l
Electric motor: 230V; 50Hz; 0.35 kW	•	•	•	•
Weight with oil	7.8 kgs	9.0 kgs	7.5 kgs	8.7 kgs

Technical drawing PME 35RH-IN



Technical drawing PME 35RH-NO



All information subject to change without further notice.
No responsibility is taken for the correctness of the named specifications.