

# 700-800 BAR

**BAHCO**  
DORTMUND



**HYDRAULIC HAND PUMPE**  
**SERIES PH**  
*SINGLE STAGE*

# BAHCO



## BAHCO GmbH & Co.KG

Martener Hellweg 60

DE- 44379 Dortmund

### Phone

+49 231/91 72 11-0

### Fax

+49 231/91 72 11-22

www.bahco.de

info@bahco.de

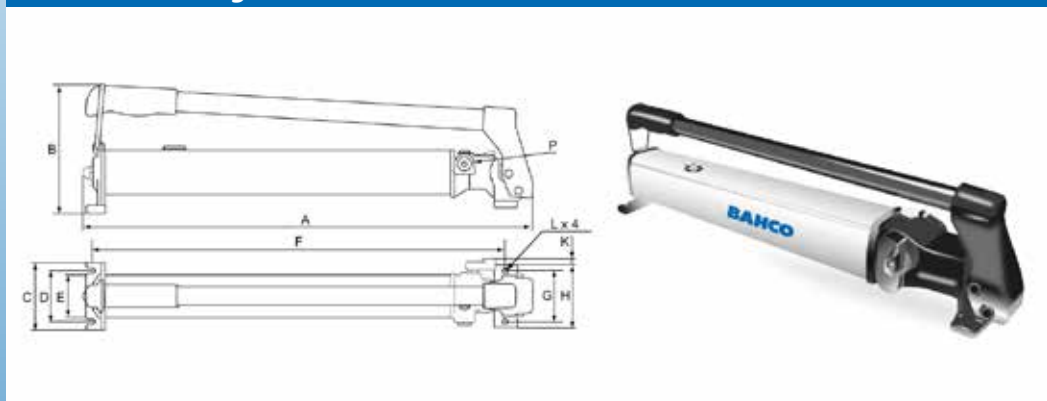
The single stage hand pumps with alu-minum tank PH ... A-series have a simple, functional design with only few moving parts. They are used primarily in applications where time isn't important.

All pumps can be fitted with a pressure gauge in order to obtain full control over the generated power.

### Dimensions

Type	Max. Work. press. MPa	Oil vol. cm <sup>3</sup>	Capacity per Pump stroke cm <sup>3</sup>	Power at max. Work. press. N	Length mm	Width mm	Height mm	Weight kgs
PH70A-600	70	600	2.9	450	590	90	170	4.1
PH70A-1000	70	1000	2.9	450	590	110	170	5.2
PH80A-600	80	600	2.9	515	590	90	170	4.1
PH80A-1000	80	1000	2.9	515	590	110	170	5.2

### Technical drawing



### Dimensions

Type	A mm	B mm	C mm	D mm	E mm	F mm	G mm	H mm	K mm	L Ø mm	P Pressure connection
PH70A-600	590	170	90	68	56	540	68	84	7	6.6	G 1/4"
PH70A-1000	590	170	110	80	75.3	545	68	84	7	6.6	G 1/4"
PH80A-600	590	170	90	68	56	540	68	84	7	6.6	G 1/4"
PH80A-1000	590	170	110	80	75.3	545	68	84	7	6.6	G 1/4"

All information subject to change without further notice.  
No responsibility is taken for the correctness of the named specifications.