

700-3.000 BAR

BAHCO
DORTMUND



**HYDRAULIC HAND PUMP
SERIES PHS**

TWO-STAGE

BAHCO

All PHS pumps are equipped with a pressure gauge, which ensures precise control of your work. The pressure gauge is fully integrated in the ring of the pump lever.

- Low effort required by two-stage operation
- Needle valve for controlled unloading
- Robust aluminum tank

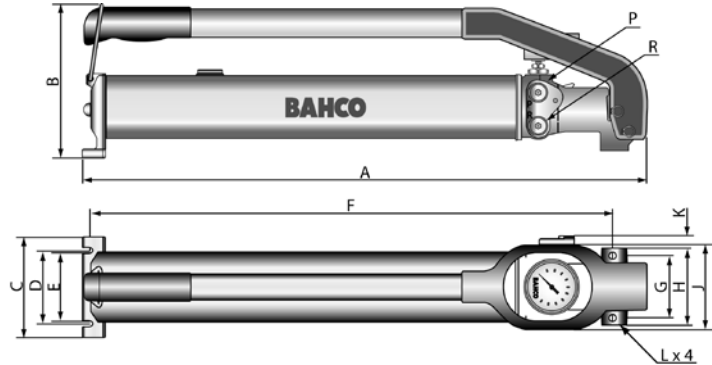
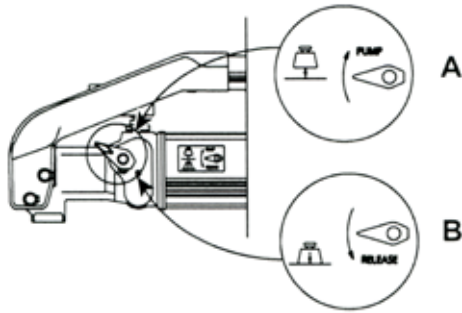
- Stainless steel at Built-in safety valve
 - Simple oil filling
 - Reflux connections on all types
 - Mounting holes in the support feet
- Hoses, couplings, gauges etc.
Accessories on request

Dimensions										
Model	Max. Work pressure MPa / bar	Eff. oil volume cm ³	Pump stroke cm ³		Pump power at. max Work pr. N	Gauge Type	Length mm	Tank-width mm	Height mm	Weight kgs
			high pr.	low pr.						
PHS70-300	70/700	300	1	20	350	AMT801M •	320	75.3	170	6.0
PHS70-1000	70/700	1000	2	20	320	AMT801M •	620	75.3	170	8.1
PHS70-2400	70/700	2400	2	20	320	AMT801M •	620	127	170	9.9
PHS70-4100	70/700	4100	2	20	320	AMT801M •	620	209	170	13.5
PHS80-300	80/800	300	1	20	400	AMT801M •	320	75.3	170	6.0
PHS80-1000	80/800	1000	2	20	360	AMT801M •	620	75.3	170	8.1
PHS80-2400	80/800	2400	2	20	360	AMT801M •	620	127	170	9.9
PHS80-4100	80/800	4100	2	20	360	AMT801M •	620	209	170	13.5
PHS100-300	100/1000	300	1	20	500	TX104-160M ■	320	75.3	170	6.0
PHS100-1000	100/1000	1000	1	20	230	TX104-160M ■	620	75.3	170	8.1
PHS100-2400	100/1000	2400	1	20	230	TX104-160M ■	620	127	170	10.1
PHS100-4100	100/1000	4100	1	20	230	TX104-160M ■	620	209	170	13.7
PHS150-1000	150/1500	1000	1	20	370	TX104-160M ■	620	75.3	170	8.1
PHS150-2400	150/1500	2400	1	20	370	TX104-160M ■	620	127	170	10.1
PHS150-4100	150/1500	4100	2	20	370	TX104-160M ■	620	209	170	13.7
PHS150-1000L *	150/1500	1000	1	20	370	AMT151	620	75.3	170	8.5
PHS150-2400L *	150/1500	2400	1	20	370	AMT151	620	127	170	10.5
PHS200-1000L *	200/2000	1000	0.7	20	380	AMT301	620	75.3	170	8.7
PHS200-2400L *	200/2000	2400	0,7	20	460	AMT301	460	127	170	10,5
PHS240-2400L *	240/2400	2400	0.7	20	460	AMT301	620	127	170	10.5
PHS240-4100L *	240/2400	4100	0.7	20	460	AMT301	620	209	170	14.1
PHS280-2400L *	280/2800	2400	0.7	20	460	AMT301	620	127	170	10.5
PHS300-1000L *	300/3000	1000	0.5	20	425	AMT401	620	75.3	170	8.7

* L-types equipped with pressure gauge 112 mm Ø

- AMT801 optional with bar-display
- TX104-1600 optional with bar-display

Technical data



Dimensions

Modell	A mm	B mm	C mm	D mm	E mm	F mm	G mm	H mm	J mm	K mm	L ø mm	P Druck-anschl,	R Rücklauf-anschl,
PHS70-300	320	170	110	80	75,3	275	68	84	93	14	6,6	G 1/4"	G 1/4"
PHS70-1000	620	170	110	80	75,3	575	68	84	93	14	6,6	G 1/4"	G 1/4"
PHS70-2400	620	170	110	80	127	575	68	84	93	14	6,6	G 1/4"	G 1/4"
PHS70-4100	620	170	140	100	209	575	68	84	93	14	6,6	G 1/4"	G 1/4"
PHS80-300	320	170	110	80	75,3	275	68	84	93	14	6,6	G 1/4"	G 1/4"
PHS80-1000	620	170	110	80	75,3	575	68	84	93	14	6,6	G 1/4"	G 1/4"
PHS80-2400	620	170	110	80	127	575	68	84	93	14	6,6	G 1/4"	G 1/4"
PHS80-4100	620	170	140	100	209	575	68	84	93	14	6,6	G 1/4"	G 1/4"
PHS100-300	320	170	110	80	75,3	275	68	84	93	14	6,6	G 1/4"	G 1/4"
PHS100-1000	620	170	110	80	75,3	575	68	84	93	14	6,6	G 1/4"	G 1/4"
PHS100-2400	620	170	110	80	127	575	68	84	93	14	6,6	G 1/4"	G 1/4"
PHS100-4100	620	170	140	100	209	575	68	84	93	14	6,6	G 1/4"	G 1/4"
PHS150-1000	620	170	110	80	75,3	575	68	84	93	14	6,6	G 1/4"	G 1/4"
PHS150-2400	620	170	110	80	127	575	68	84	93	14	6,6	G 1/4"	G 1/4"
PHS150-4100	620	170	140	100	209	575	68	84	93	14	6,6	G 1/4"	G 1/4"
PHS150-1000L *	620	170	110	80	75,3	575	68	84	134	-	6,6	G 1/4"	G 1/4"
PHS150-2400L *	620	170	110	80	127	575	68	84	134	-	6,6	G 1/4"	G 1/4"
PHS200-1000L *	620	170	110	80	75,3	575	68	84	134	-	6,6	9/16-18 UNF	G 1/4"
PHS240-2400L *	620	170	110	80	127	575	68	84	134	-	6,6	9/16-18 UNF	G 1/4"
PHS240-4100L *	620	170	140	100	209	575	68	84	134	-	6,6	9/16-18 UNF	G 1/4"
PHS280-2400L *	620	170	130	80	127	574	68	84	134	-	6,6	9/16-18 UNF	G 1/4"
PHS300-1000L *	620	170	110	80	75,3	575	68	84	134	-	6,6	9/16-18 UNF	G 1/4"

BAHCO
DORTMUND



BAHCO GmbH & Co.KG

Martener Hellweg 60

DE- 44379 Dortmund

Phone

+49 231/91 72 11-0

Fax

+49 231/91 72 11-22

www.bahco.de

info@bahco.de

BAHCO