

PP-SERIES

BAHCO
DORTMUND



**AIR HYDRAULIC PUMPS
SERIES PP...-1000**

BAHCO



BAHCO GmbH & Co.KG

Martener Hellweg 60

DE- 44379 Dortmund

Phone

+49 231/91 72 11-0

Fax

+49 231/91 72 11-22

www.bahco.de

info@bahco.de

AIR HYDRAULIC PUMP SERIES

PP...-1000. The single-stage hydraulic pumps PP ...-1000 are extremely compact and operate in any horizontal or vertical position thanks to a rubber bilge installed in the tank. The pumps can be operated by hand or foot.

- High oil flow
- easy filling and checking of the oil level
- Pressure relief valve to prevent overfilling of the tank

- Easy connection of the reflux oil line to the oil filler opening
- reliable and service-friendly

Pressure ranges: 700, 800 and 1000, 1500 and 2275 bar.

For hoses, couplings and gauges please refer to „accessories“.

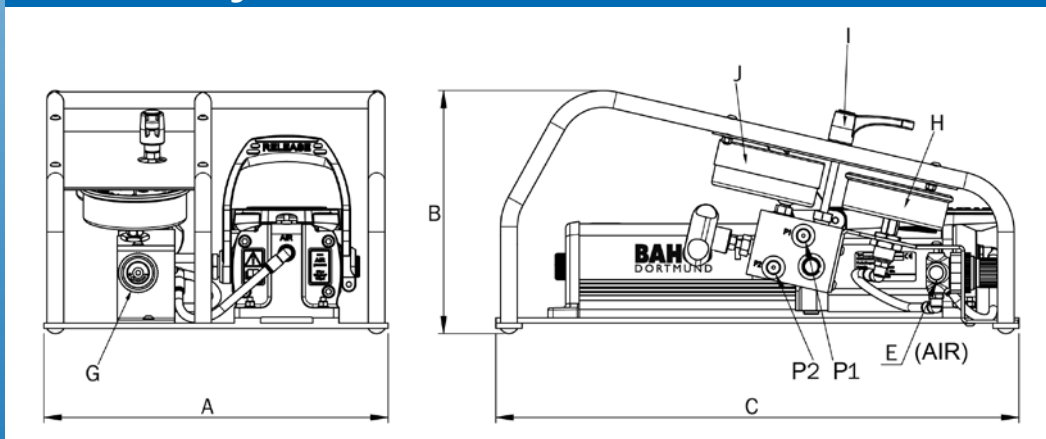
Dimensions

Type	Max. Working-pressure MPa	Effective Oil volume cm ³	Capacity cm ³ /min.	Requ. Air pressure bar	Length mm	Width mm	Height mm	Weight kg
PP70B-1000	70	1000	750 - 170	6 - 10	439	140	174	5.9
PP80B-1000	80	1000	600 - 160	6 - 10	439	140	174	5.9
PP100B-1000	100	1000	600 - 120	6 - 10	439	140	174	5.9
PP150-1000	150	1000	370 - 65	6 - 10	440	140	174	5.9
PP227-1000	227	1000	270 - 31	6 - 10	440	140	174	6.2

Dimensions

Type	A mm	B mm	C mm	D mm	F mm	J mm	L Ø mm	Hydr. pressure connection	Return connection	Air connect.
PP70B-1000	439	174	100	70	395	140	7	G ¹ / ₄ "	G ³ / ₈ "	G ¹ / ₄ "
PP80B-1000	439	174	100	70	395	140	7	G ¹ / ₄ "	G ³ / ₈ "	G ¹ / ₄ "
PP100B-1000	439	174	100	70	395	140	7	G ¹ / ₄ "	G ³ / ₈ "	G ¹ / ₄ "
PP150-1000	440	174	100	70	395	140	7	G ¹ / ₄ "	G ³ / ₈ "	G ¹ / ₄ "
PP227-1000	440	174	100	70	395	140	7	G ¹ / ₄ "-120° Konus	G ³ / ₈ "	G ¹ / ₄ "

Technical drawing



All information subject to change without further notice.
No responsibility is taken for the correctness of the named specifications.