

# 700-1000 BAR

**BAHCO**  
DORTMUND



**AIR HYDRAULIC PUMPS  
SERIES PP-2500**

# BAHCO

**The single stage air hydraulic pump proof PP.-2500** are reliable and of compact design thanks to a rubber bellow in the tank they work in all positions.

The types FP, RC and MRV have a switching valve which leads the oil back into the tank. All types are equipped with an oil sight glass and a silencer.

Pressure ranges: 700, 800 and 1000 bar.

**RC** - 2.5 m Remote control with two buttons for extend forwards. hold and release.

**MRV** - with pressure and reflux port and valve lever for manual release. Suitable for tools with its own valve.

**MLD** - with foot pedal and hand lever valve for Operation of double acting cylinders.

**FP** - with foot pedal for extension. holding and releasing.

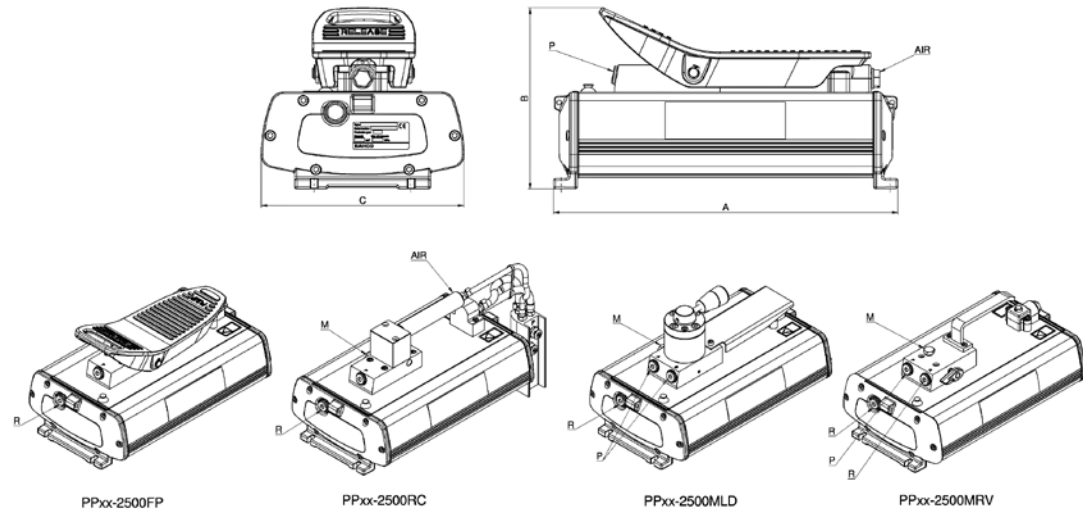
Hoses, couplings and manometers see accessories.

**Dimensions**

Model	Max. Work press. bar	Eff. Oil volume cm <sup>3</sup>	Capacity cm <sup>3</sup> /min		Air pressure max. MPa	Required Air pressure MPa/bar	Weight kgs
			max.	min.			
<b>PP70-2500FP</b>	700	2500	1150	260	0.65 - 1.0	0.65 / 6.5	10.1
<b>PP70-2500RC</b>	700	2500	1070	200	0.65 - 1.0	0.65 / 6.5	10.8
<b>PP70-2500MLD</b>	700	2500	1150	260	0.65 - 1.0	0.65 / 6.5	10.5
<b>PP70-2500MRV</b>	700	2500	1150	260	0.65 - 1.0	0.65 / 6.5	9.8
<b>PP80-2500FP</b>	800	2500	760	170	0.6 - 1.0	0.6 / 6	10.1
<b>PP80-2500RC</b>	800	2500	710	130	0.6 - 1.0	0.6 / 6	10.8
<b>PP80-2500MLD</b>	800	2500	760	170	0.6 - 1.0	0.6 / 6	10.5
<b>PP80-2500MRV</b>	800	2500	760	170	0.6 - 1.0	0.6 / 6	9.8
<b>PP100-2500FP</b>	1000	2500	760	100	0.65 - 1.0	0.65 / 6.5	10.8
<b>PP100-2500RC</b>	1000	2500	710	80	0.65 - 1.0	0.65 / 6.5	11.5

Dimensions							
Model	A mm	B mm	C mm	M Gauge connection	P Hydr. Pressure connection	R Reflux connection	Air connection
PP70-2500FP	355	187	209	—	G 1/4"	G 1/4"	G 1/4"
PP70-2500RC	355	175	209	G 1/4"	G 1/4"	G 1/4"	G 1/4"
PP70-2500MLD	355	214	209	G 1/4"	2 x G 1/4"	G 1/4"	G 1/4"
PP70-2500MRV	355	171	209	G 1/4"	G 1/4"	G 1/4"	G 1/4"
PP80-2500FP	355	187	209	—	G 1/4"	G 1/4"	G 1/4"
PP80-2500RC	355	175	209	G 1/4"	G 1/4"	G 1/4"	G 1/4"
PP80-2500MLD	355	214	209	G 1/4"	2 x G 1/4"	G 1/4"	G 1/4"
PP80-2500MRV	355	171	209	G 1/4"	G 1/4"	G 1/4"	G 1/4"
PP100-2500FP	355	187	209	—	G 1/4"	G 1/4"	G 1/4"
PP100-2500RC	355	175	209	G 1/4"	G 1/4"	G 1/4"	G 1/4"

## Technical drawing



**BAHCO**  
DORTMUND



**BAHCO GmbH & Co.KG**

Martener Hellweg 60

DE- 44379 Dortmund

**Phone**

+49 231/91 72 11-0

**Fax**

+49 231/91 72 11-22

[www.bahco.de](http://www.bahco.de)

[info@bahco.de](mailto:info@bahco.de)

**BAHCO**