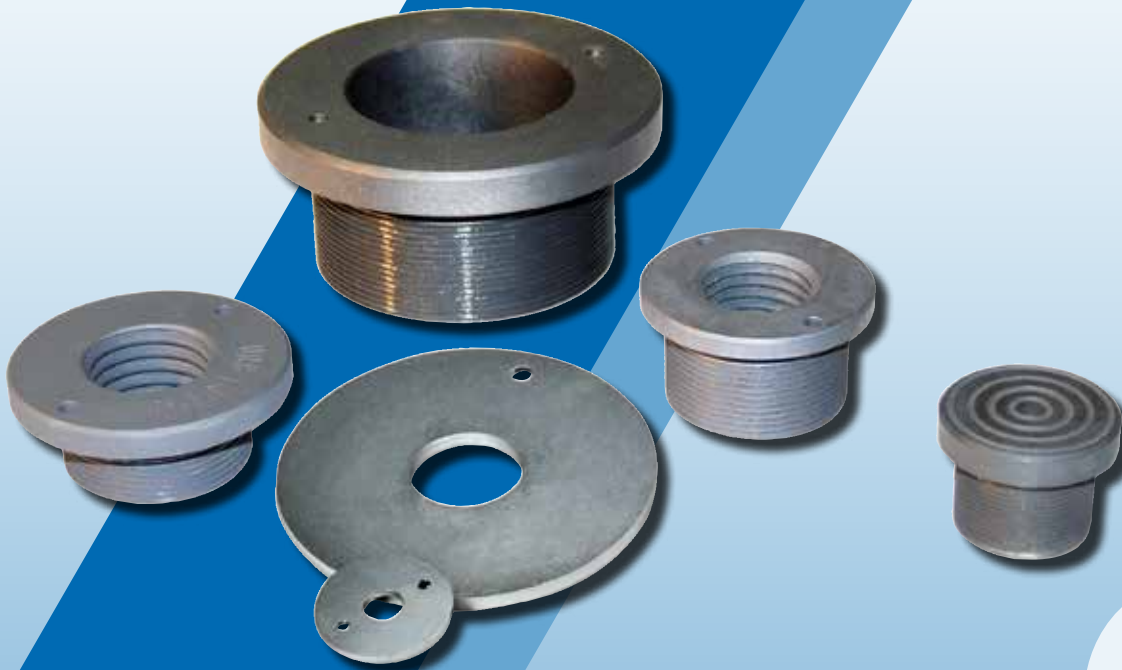


ACCESSORIES

BAHCO
DORTMUND



**BOTTOM PLATES FOR
ALUMINUM HOLLOW
PISTON CYLINDERS
SERIES CHFA**

BAHCO

TS-steel ground plates should always be used when the cylinder is used on uneven and rough ground. They are an easy and inexpensive way to protect the quality cylinders. The replaceable plungers are used in hollow piston cylinders Series CHFA.

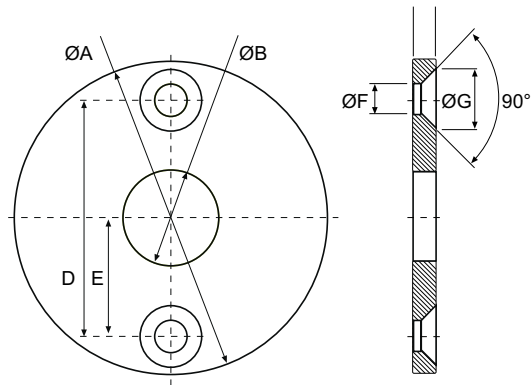
The plungers are available in the following versions:

- with hole
- with internal thread, metric
- with internal thread, inch
- without drilling

Plungers for hollow piston cylinder					
for Cylinder	Description	Boring mm	Internal thread, metric	Internal thread, Inch	w/o Boring
CH62	THH6	17			
	THM6		M16		
	THU6			5/8" - 11 UNC	
	THR6				X
CHFA132, CHFA136	THH13	22			
	THM13		M20		
	THU13			3/4" - 10 UNC	
	THR13				X
CHFA182, CHFA184	THH18	26			
	THM18		M24		X
	THU18			1" - 8 UNC	
	THR18				X
CHFA262, CHFA266	THH26	32			
	THM26		M30		
	THU26			1 1/4" - 7 UNC	
	THR26				X
CHFA372, CHFA376	THH37	39			
	THM37		M36		
	THU37			1 3/8" - 6 UNC	
	THR37				X
CHFA673, CHFA676	THH67	54			
	THM67		M52		
	THU67			2" - 4 UNC	
	THR67				X
CHFA1003, CHFA1006	THH100	66			
	THM100		M64		
	THU100			2 1/2" - 4 UNC	
	THR100				X

Bottom plates for hollow cylinders									
Type	for Cylinder kN (tn)	A Ø mm	B Ø mm	C mm	D mm	E mm	F Ø mm	G Ø mm	Weight kgs
TS13	123 (13)	80	23	5	54	27	7	13	0.17
TS18	176 (18)	93	27	6	66,4	33,2	9	17.8	0.28
TS26	255 (26)	114	33	8	86	43	11	22	0.56
TS37	358 (36)	135	40	8	105	52,5	11	22	0.79
TS67	659 (67)	184	55	8	130	65	11	22	1.5
TS100	1010 (103)	226	67	10	185	92,5	13	25.7	2.8

Technical drawing



BAHCO
DORTMUND

BAHCO GmbH & Co.KG

Martener Hellweg 60

DE- 44379 Dortmund

Phone

+49 231/91 72 11-0

Fax

+49 231/91 72 11-22

www.bahco.de

info@bahco.de

BAHCO