



HYDRAULIC ACCESSORIES: FITTINGS

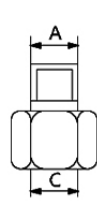
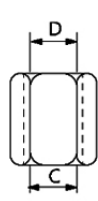
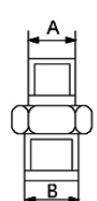
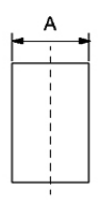
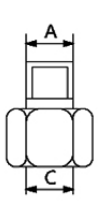
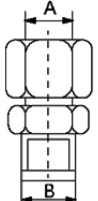
The high pressure fittings guarantee a safe connection of the hydraulic systems.

Please note: Sealings are not included (see list)



Sealings		
Seal type	Order-No.	for thread
1	01044650	G 1/8"
2	17009	G 1/4"
3	16217	G 3/8"
4	14192	G 1/2"
5	01044550	M18x1,5
6	01044560	M22x1,5

Technical drawings

					
AAE478 I AAE504	TX124 AAI457	AAU241**** AAU242**** AAU243**** AAU407 AAU408 AAU420 T1** T2** T9 T38N** T3814	TX117	TX113 TX114 TX115* I TX116 TX119 I TX122 T14I** T38NI** T3 T8	AAE505***

* Adapter for pump P15-8 M14x1.5
 ** with taper for hose connection
 *** Nut 1/4" female with sealing cone
 **** AAU241: male thread G 1/4" male 120° sealing cone and 9.16" -18UNF with male 60° sealing cone
 AAU242: male thread G 1/4" male 120° sealing cone and 9.16" male -18UNF with 60° sealing cone
 AAU243: 2 x male thread G 1/4" male 120° sealing cone

Dimensions						
Type	Max. work. pressure MPa (bar)	A Male thread	B Male thread	C Female thread	D Female thread	Seal type
AAE478	80(800)	G 1/4"	-	G 3/8"	-	A=2 C=3
AAE498	100 (1000)	G 1/4"	-	NPTF 1/4"-18	-	A=2 C=-
AAE502	150 (1500)	G 1/4"	-	G 1/4"	-	A=2 C=2
AAE504	150 (1500)	G 1/4"	-	G 1/4"	-	A=2 C=2
AAE505***	80(800)	G 1/4"	-	G 1/4"	-	A=2 C=2
AAI457	80 (800)	-	-	G 1/4"	G 3/8"	C=2 D=3
AAU241****	300 (3000)	G 1/4"	9/16"-18UNF	-	-	-
AAU242****	240 (2400)	G 1/4"	9/16"-18UNF	-	-	-
AAU243****	300 (3000)	G 1/4"	G 1/4"	-	-	-
AAU407	100 (1000)	G 1/4"	G 3/8"	-	-	A=2 B=3
AAU408	100 (1000)	G 1/4"	G 1/2"	-	-	A=2 B=4
AAU420	100 (1000)	G 1/4"	NPTF 1/4"-18	-	-	A=2 B=-
LN1102	800	NPTF 3/8"-18	NPTF 3/8"-18	-	-	A=- B=-
TX113	80 (800)	NPTF 1/4"-18	-	G 1/4"	-	A=- C=2
TX114	100 (1000)	NPTF 3/8"-18	-	G 1/4"	-	A=- C=2
TX115*	100 (1000)	G 3/8"	-	G 1/4"	-	A=3 C=2
TX116	100 (1000)	G 1/4"	-	NPTF 3/8"-18	-	A=2 C=-
TX117	150 (1500)	G 1/4"	-	-	-	A=2
TX119	100 (1000)	G 3/8"	-	G 1/4"	-	A=3 C=2
TX120	80 (800)	G 1/8"	-	G 3/8"	-	A=1 C=3
TX121	100 (1000)	G 1/8"	-	G 1/4"	-	A=1 C=2
TX122	100 (1000)	G 1/4"	-	G 1/8"	-	A=2 C=1
TX124	80 (800)	-	-	G 1/4"	G 1/4"	C=2 D=2
T1**	150 (1500)	M14x1,5	G 1/4"	-	-	A=- B=2
T2**	150 (1500)	M14x1,5	M14	-	-	A=- B=2
T3	100 (1000)	M18x1,5	-	G 1/4"	-	A=5 C=2
T4	100 (1000)	G 1/4"	-	M18x1,5	-	A=2 C=5
T5	100 (1000)	M16x1,5	-	G 1/4"	-	A=3 C=2
T6	100 (1000)	G 1/4"	-	M16x1,5	-	A=2 C=3
T7	100 (1000)	G 1/2"	-	G 1/4"	-	A=4 C=2
T8	100 (1000)	M22x1,5	-	G 1/4"	-	A=6 C=2
T9**	150 (1500)	M14x1,5	M14x1,5	-	-	-
T14I**	150 (1500)	M14x1,5	-	G 1/4"	-	A=- B=2
T38N**	150 (1500)	M14x1,5	NPTF 3/8"-18	-	-	-
T38NI**	150 (1500)	M14x1,5	-	NPTF 3/8"-18	-	-
T3814	150 (1500)	G 1/4"	NPTF 3/8"-18	-	-	A=2 B=-

BAHCO GmbH & Co.KG

Martener Hellweg 60

DE- 44379 Dortmund

Phone

+49 231/91 72 11-0

Fax

+49 231/91 72 11-22

www.bahco.de

info@bahco.de

BAHCO