

AF, AT, V

BAHCO
DORTMUND



HYDRAULIC ACCESSORIES: MANIFOLD BLOCKS

Manifold blocks for connecting the hydraulic system.

Seals 17009 (1/4") are included.

BAHCO

BAHCO GmbH & Co.KG

Martener Hellweg 60

DE- 44379 Dortmund

Phone

+49 231/91 72 11-0

Fax

+49 231/91 72 11-22

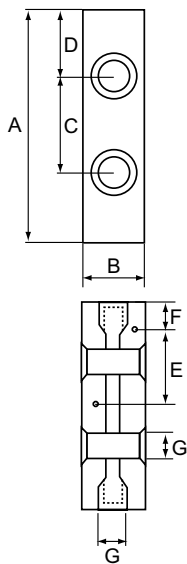
www.bahco.de

info@bahco.de

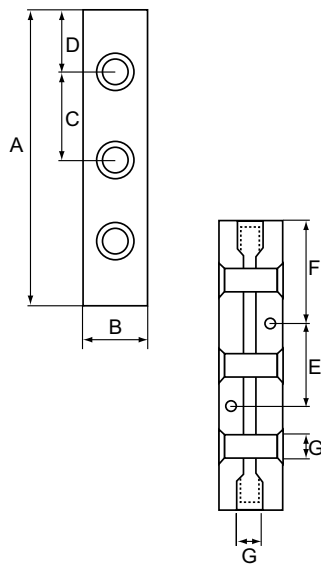
Dimensions

Article	Max. Pressure MPa/bar	Connections	A mm	B mm	C mm	D mm	E mm	F mm	G Female thread	H Male thread
AF 55	100/1000	6	100	30	40	30	40	10	G 1/4"	-
AF 57	100/1000	8	140	30	40	30	40	50	G 1/4"	-
ATI 289	100/1000	3	45	40	27	13	25	22,5	G 1/4"	-
V 1 - 2	100/1000	3	40	40	20	20	25	20	G 1/4"	-
V 1 - 4	100/1000	5	80	40	30	21	25	40	G 1/4"	-
ATI 3	150/1500	3	85	25	60	12,5	-	-	G 1/4"	G 1/4"
ATI 31	150/1500	3	85	25	-	-	-	-	G 1/4"	G 1/4"
ATI 32	150/1500	3	70	25	29	15	25	-	G 1/4"	G 1/4"

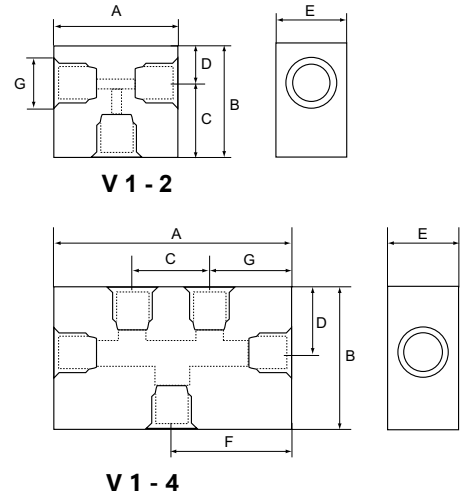
Technical drawings



AF 55

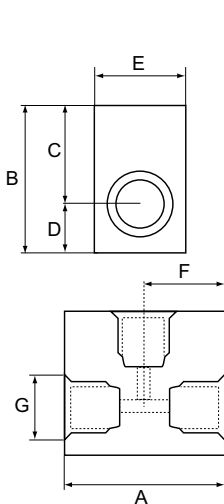


AF 57

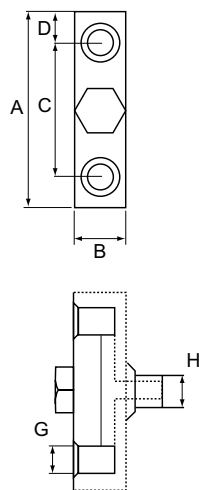


V 1 - 2

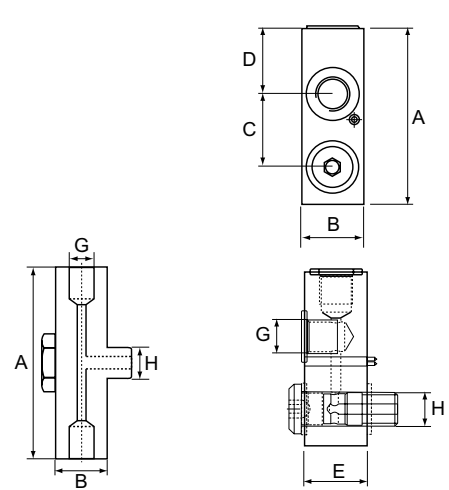
V 1 - 4



ATI 289



ATI 3



ATI 31

ATI 32

All information subject to change without further notice.
No responsibility is taken for the correctness of the named specifications.