

# ACCESSORIES

**BAHCO**  
DORTMUND



**ELBOWS, FIXED AND 360°  
ROTATABLE**

**BAHCO**

**BAHCO GmbH & Co.KG**

Martener Hellweg 60

DE- 44379 Dortmund

**Phone**

+49 231/91 72 11-0

**Fax**

+49 231/91 72 11-22

www.bahco.de

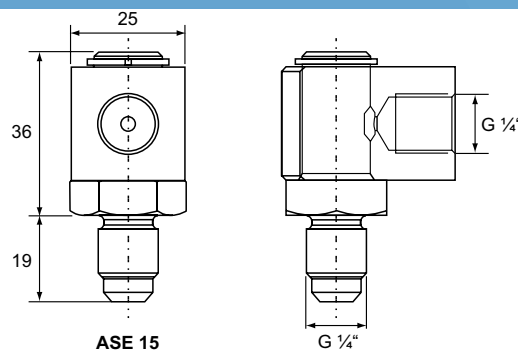
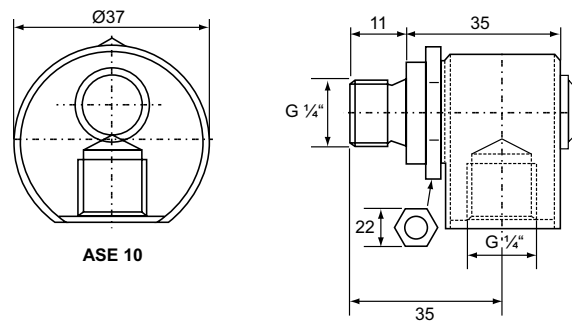
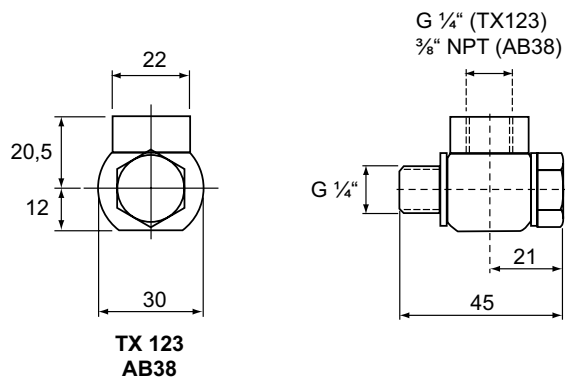
info@bahco.de

## Dimensions

Article	Max. Pressure MPa/bar	Thread
TX 123	100 (1000)	2 x G 1/4"

Article	Max. Pressure MPa/bar	Thread
ASE 10	80 (800)	2 x G 1/4"
ASE 15	150 (1500)	2 x G 1/4"

## Technical drawings



All information subject to change without further notice.  
No responsibility is taken for the correctness of the named specifications.