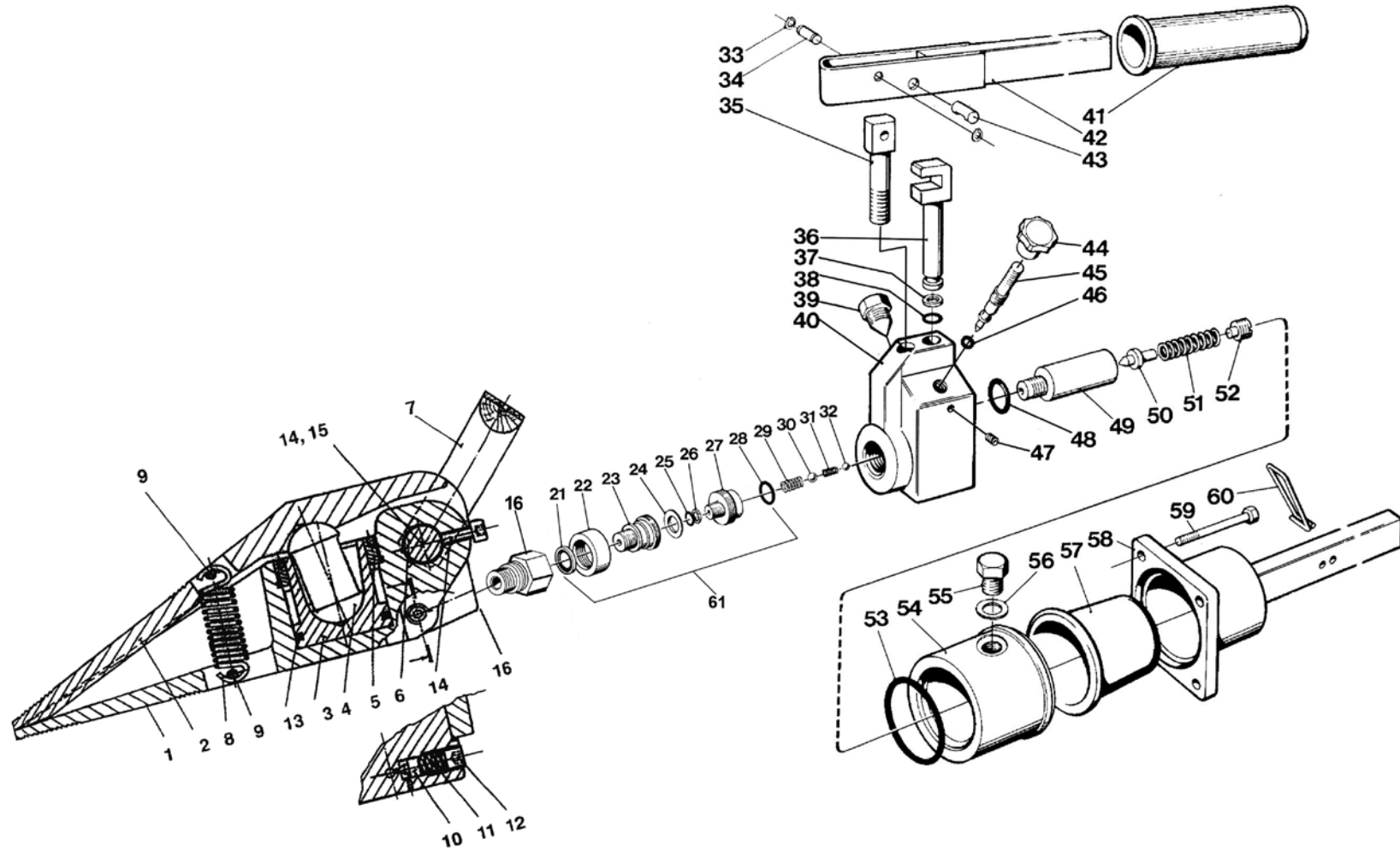


HYDRAULIC-SPREADER

Type: HS50-120

HS50-120



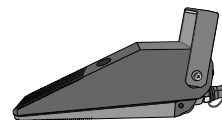
Documentation commissioner: Andreas Bos
Version: 02.2023

BAHCO GmbH & Co. KG
Martener Hellweg 60
44379 Dortmund
Phone: +49(0)231-91 72 11-0
Fax: +49(0)231-91 72 11-22
Internet: www.bahco.de
E-Mail: info@bahco.de

Hydraulic-Spreader - Spare Part List

Type
HS50-120

BAHCO
DORTMUND



HYDRAULIC-SPREADER

Type: HS50-120

| Spare Part List | | | |
|-----------------|--------------------|-------------|-----|
| No. | Description | Article No. | Qty |
| 1 | Lever Arm, fixed | 40210060 | 1 |
| 2 | Lever Arm, movable | 40210053 | 1 |
| 3 | Piston | 40210055 | 1 |
| 4 | Hinge | 40210057 | 1 |
| 5 | Bushing | 40210056 | 1 |
| 6 | Axle | 40210054 | 1 |
| 7 | Handle, cpl. | 40210061 | 1 |
| 8 | Spring | 40210058 | 1 |
| 9 | Pin | 10100460 | 2 |
| 10 | Valve Cone | 40112024 | 1 |
| 11 | Spring | 40112026 | 1 |
| 12 | Screw | 10100195 | 1 |
| 13 | Packing | 10110507 * | 1 |
| 14 | Screw | 10100153 | 3 |
| 15 | Washer | 10100257 | 2 |
| 16 | Fitting TX116-S | 38852401 | 1 |
| 21 | Packing Ring | 16217* | 1 |
| 22 | Nut | 38911850 | 1 |
| 23 | Nipple | 38911840 | 1 |
| 24 | Disc spring | 01039170 | 1 |
| 25 | O-Ring | 17742 * | 1 |
| 26 | Support Ring | 01042020* | 1 |
| 27 | Nipple | 38911830 | 1 |
| 28 | Packing Ring | 16217 * | 1 |
| 29 | Spring | 38270270 | 1 |
| 30 | Ball | 5640 | 1 |

| Spare Part List | | | |
|-----------------|---------------|-------------|-----|
| No. | Description | Article No. | Qty |
| 31 | Spring | 38116070 | 1 |
| 32 | Ball | 5285 | 1 |
| 33 | Support Ring | 16247 | 2 |
| 34 | Locking Pin | 38116110 | 1 |
| 35 | Fitting | 38116090 | 1 |
| 36 | Piston | 38116130 | 1 |
| 37 | Support Ring | 01042020* | 1 |
| 38 | O-Ring | 17742* | 1 |
| 39 | Screw | 38115630 | 1 |
| 40 | Pump Head | 38116060 | 1 |
| 41 | Rubber Grip | 29062 | 2 |
| 42 | Pump Lever | 38116140 | 1 |
| 43 | Pin | 38116120 | 1 |
| 44 | Valve Knob | 38584 | 1 |
| 45 | Valve Spindle | 38116170 | 1 |
| 46 | O-Ring | 01040520* | 1 |
| 47 | Screw | 01004020 | 1 |
| 48 | Packing Ring | 17009* | 1 |
| 49 | Valve Housing | 38115160 | 1 |
| 50 | Valve Needle | 38115170 | 1 |
| 51 | Valve Spring | 38115180 | 1 |
| 52 | Screw | 38115190 | 1 |
| 53 | O-Ring | 01041430* | 1 |
| 54 | Tube | 38911820 | 1 |
| 55 | Plug | 16536 | 1 |

| Spare Part List | | | |
|-----------------|------------------------------|-------------|-----|
| No. | Description | Article No. | Qty |
| 56 | Packing Ring | 17009* | 1 |
| 57 | Oil Container | 01488400 | 1 |
| 58 | Support Lever | 38911810 | 1 |
| 59 | Screw | 01001550 | 4 |
| 60 | Hanger | 38911870 | 1 |
| 61 | Connection Nipple | 42820 | 1 |
| | | | |
| | * Seal Kit | 40210065-HS | |
| | | | |
| | * Only available in Seal Kit | | |

Documentation commissioner: Andreas Bos
Version: 02.2023

BAHCO GmbH & Co. KG
Martener Hellweg 60
44379 Dortmund
Phone: +49(0)231-91 72 11-0
Fax: +49(0)231-91 72 11-22
Internet: www.bahco.de
E-Mail: info@bahco.de

Hydraulic-Spreader - Spare Part List

Type
HS50-120

BAHCO
DORTMUND