

CUTTING TOOLS

BAHCO
DORTMUND



**HYDRAULIC SHEARES AND
COMBI TOOLS SERIES DHS,
DHK**

BAHCO

These shears are for scrapping work, but also intended for use in the rescue service. The type DHK is a multipurpose tool with which you can do cutting, spreading and pulling jobs. As special accessories are spreading tips and chain fittings deliver-able. The blades are serrated and thereby obtain a secure grip and better cutting performance.

The shears are driven by a separate pump by means of a 4/3 way valve. The pump can be connected directly to the shear.

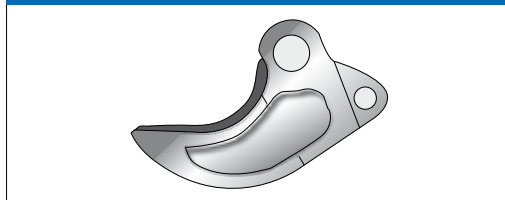
- 3 Types
- Double acting
- Fitted 4/3 - way valve
- High Cutting-/spreading force
- Corrosion resistant

Dimensions

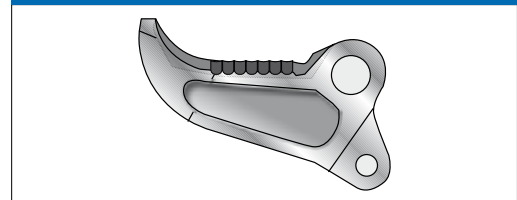
Model	Part-No.	Blade type	Max. Cutting force	Max. Spread. force	Max. Traction	Max. Opening	Weight
			kN	kN	kN	mm	kgs
DHS 105	46536	Parrot	208	--	--	105	8.9
DHS 180	47715	Parrot	512	--	--	180	16.6
DHS 240	44530	Eagle	512	--	--	240	16.2
DHK 35/200	46091	Toothed	276	35	--	200	10.0
DHK 45A/370	40975	Toothed	512	45	70	370	17.4

Working pressure 800 bar. All devices with dead man control.

RT 60 Blade for DHS 105 and 180



RT 56 Blade for DHS 240



RT24 Spreading tip for DHK35 and -45A



RT21 Locking pin for DHK 35
RT25 Locking pin for DHK 45A

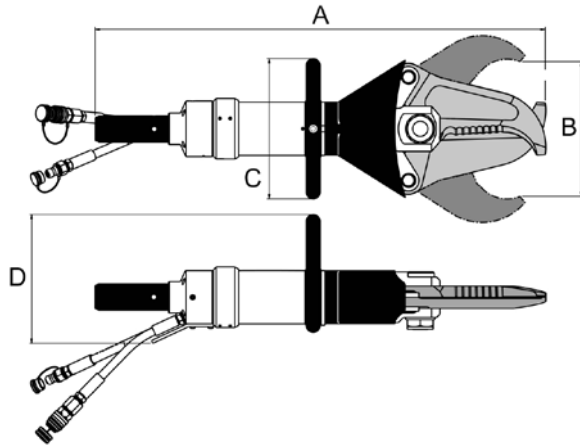


RT36 Blade for DHK 35
RT30 Blade for DHK 45A



other accessories on request!

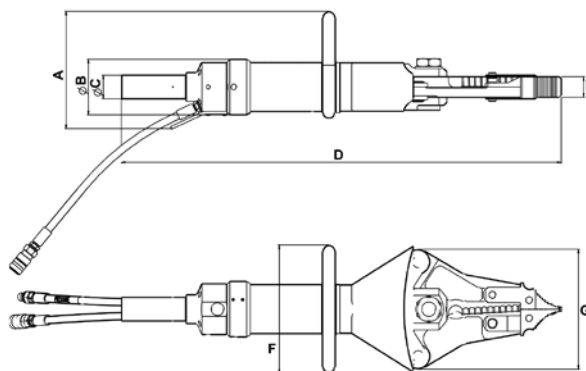
Technical drawing



Dimensions

	DHS 105	DHS180	DHS 240
	mm	mm	mm
A	719	785	804
B	105	180	240
C	255	255	255
D	215	215	215

Technical drawing



Dimensions

	DHK 35/200	DHK 45A/370
	mm	mm
A	211	230
B	104	108
C	46	46
D	705	833
E	40	40
F	230	250
G	169	235

BAHCO
DORTMUND

BAHCO GmbH & Co.KG

Martener Hellweg 60

DE- 44379 Dortmund

Phone

+49 231/91 72 11-0

Fax

+49 231/91 72 11-22

www.bahco.de

info@bahco.de

BAHCO