

CUTTING TOOLS

BAHCO
DORTMUND



**HYDRAULIC RIVET HEAD
CUTTER SERIES RC 25-30**

BAHCO

BAHCO GmbH & Co.KG

Martener Hellweg 60

DE- 44379 Dortmund

Phone

+49 231/91 72 11-0

Fax

+49 231/91 72 11-22

www.bahco.de

info@bahco.de

This hydraulic rivet head cutter with spring return is suitable for work in commercial vehicle construction. It cuts rivets on straps and frames with a shaft diameter up to 16 mm and a max. rivet head size of 30 mm.

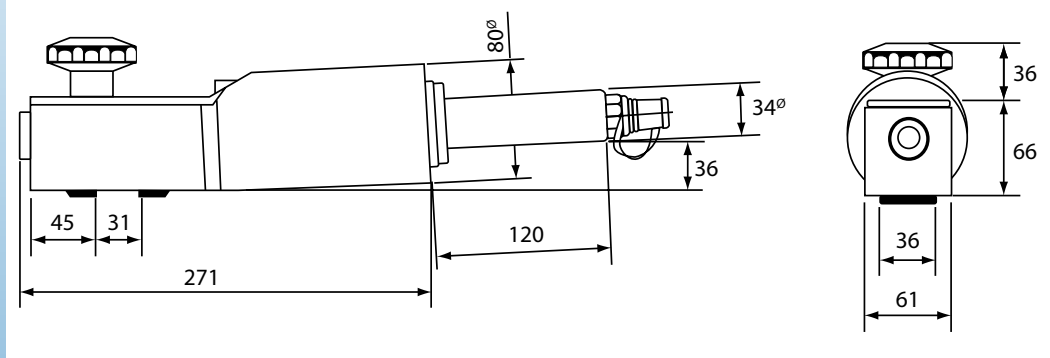
800 bar operating pressure, weight 9 kgs

- Air-hydraulic pump PP80B - 1000 foot operated (manual and electric motor pump available on request)
- Hydraulic hose
- Quick coupling

A complete kit consisting of:

- Rivet head cutter RC 25 - 30 with a cutting capacity of 250 kN (25 t) at

Technical drawing



Dimensions

Model	Capacity rivet head	Capacity rivet shaft	Cutting force	Oil volume	Weight
	Ø mm	Ø mm	Ton/kN	cm ³	kg
RC25-30	30	16	25/244.6	94	9

Delivery incl. coupling nipple TX23

