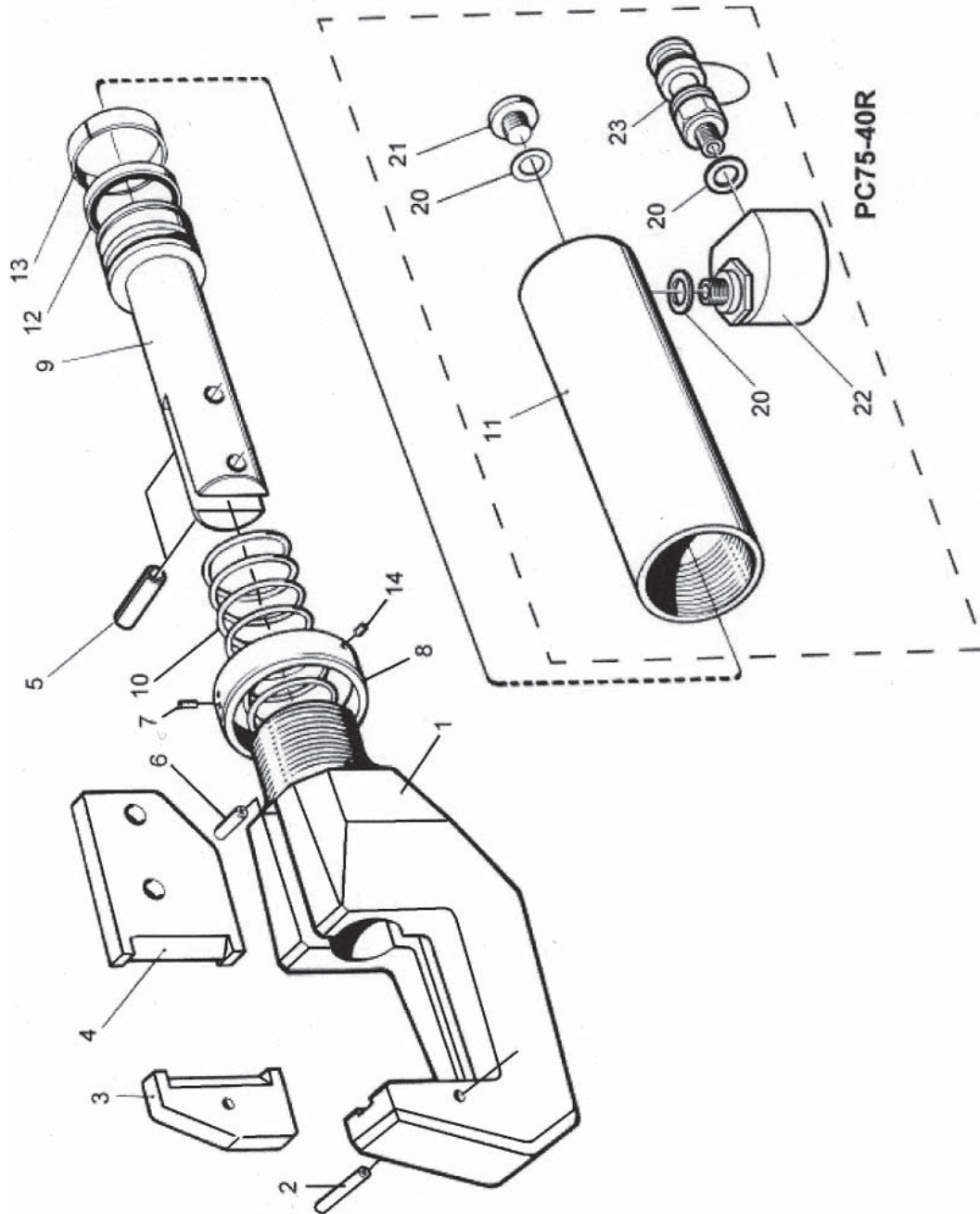


## Hydraulic Shears

### Type: PC75-40 / PC75-40R



No.	Qty	Description	Part-No.	Part-No.
1	1	Clip	38740	
2	1	Pin	**	01022610
3	1	Blade, fixed	**	37373
4	1	Blade, movable	**	37360
5	2	Pin	**	12211
6	1	Pin	01022530	
7	1	Screw	01004020	
8	1	Sleeve	38750	
9	1	Piston	38739	
10	1	Spring	38735	
11	1	Cylinder tube	38745	
12	1	O-Ring	*	38737
13	1	Piston guide	*	38738
14	3	Screw	38843	
20	3	Packing	*	17009
21	1	Plug	16536	
22	1	Swivel coupling ASE10	38 8250 00	
23	1	Quick coupling nipple TX23S/MK	38 8155 10	
		Seal kit	38790	
		Blade kit RT40	37411	
	*	Included in Seal kit		
	**	Included in Blade kit		

**BAHCO GmbH & Co. KG**  
 Martener Hellweg 60  
 44379 Dortmund  
 Phone: (0231) 91 72 11-0  
 Fax: (0231) 91 72 11-20  
 Internet: www.bahco.de  
 E-Mail: info@bahco.de

**Hydraulic-Sheres**

Type  
**PC75-40 / PC75-40R**

**BAHCO**  
 DORTMUND