

700 BAR

BAHCO
DORTMUND



ALUMINIUM CYLINDERS SERIES CFA - SINGLE-ACTING WITH SPRING RETURN

Hydraulic cylinder of the CFA series are made from high-strength aluminum. Both components the cylinder housing and the piston are hard anodized for better protection against wear and corrosion.

CFA cylinders are available in capacities of 23-95 tons at an operating pressure of 700 bar and strokes of 100 or 200 mm.

All CFA cylinders are supplied with pressure plate and a bottom plate of steel. Thus guarantees a fault-free operation even on uneven ground or not parallel lifting point. The hydraulic cylinders can also be operated at 800 bar therefore. The capacity increases by about 15%.

BAHCO

BAHCO GmbH & Co.KG

Martener Hellweg 60

DE- 44379 Dortmund

Phone

+49 231/91 72 11-0

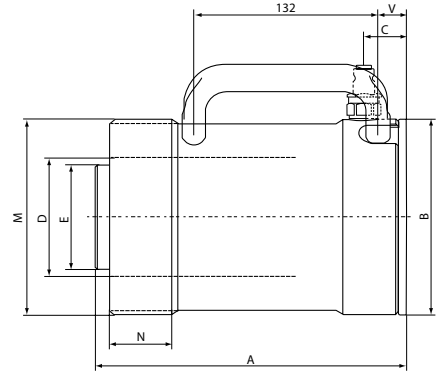
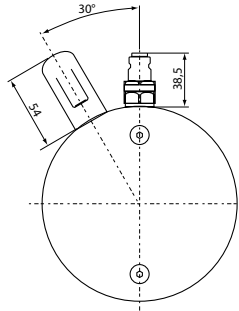
Fax

+49 231/91 72 11-22

www.bahco.de

info@bahco.de

Technical drawing



Dimensions

Type	Work.- pressure MPa	Capacity kN(tn)	Stroke length mm	Oil volume cm ³	Piston-Ø mm	Piston area cm ²	Diameter mm	Height mm	Weight kgs
CFA250-100	70	230 (23)	100	332	60	33.2	100	212	4.4
CFA250-200	70	230 (23)	200	664	60	33.2	100	312	5.9
CFA500-100	70	500 (51)	100	709	85	70.9	140	223.5	9.2
CFA500-200	70	500 (51)	200	1418	85	70.9	140	323.5	12.7
CFA750-100	70	730 (74)	100	1039	100	103.9	170	235.5	14
CFA750-200	70	730 (74)	200	2078	100	103.9	170	335.5	18.3
CFA1000-100	70	930 (95)	100	1327	110	132.7	190	243	18.4

Type	Capacity kN(tn)	A mm	B ø mm	C mm	D ø mm	E ø mm	M	N mm	V mm
CFA250-100	230 (23)	212	100	24	60	53	M100 x 4	37	-
CFA250-200	230 (23)	312	100	24	60	53	M100 x 4	37	-
CFA500-100	500 (51)	223,5	140	31	85	75	M140 x 4	45	21
CFA500-200	500 (51)	323,5	140	31	85	75	M140 x 4	45	21
CFA750-100	730 (74)	235,5	170	18	100	75	M170 x 4	54	31
CFA750-200	730 (74)	335,5	170	18	100	75	M170 x 4	54	31
CFA1000-100	930 (95)	243	190	39	110	95	M190 x 4	56	34
CFA1000-200	930 (95)	343	190	39	110	95	M190 x 4	56	34