

700 BAR

BAHCO
DORTMUND



PUSH CYLINDER SERIES CFC

SINGLE-ACTING WITH SPRING RETURN

BAHCO

Cylinders of CFC Series are single-acting cylinders with numerous ways of applications. There is a large variety of cylinders available in terms of capacity, stroke and dimension. All types have a compact design that also allows the use in confined spaces. All cylinders of CFC Series have spring return, a large Stroke and guide bands of the highest quality.

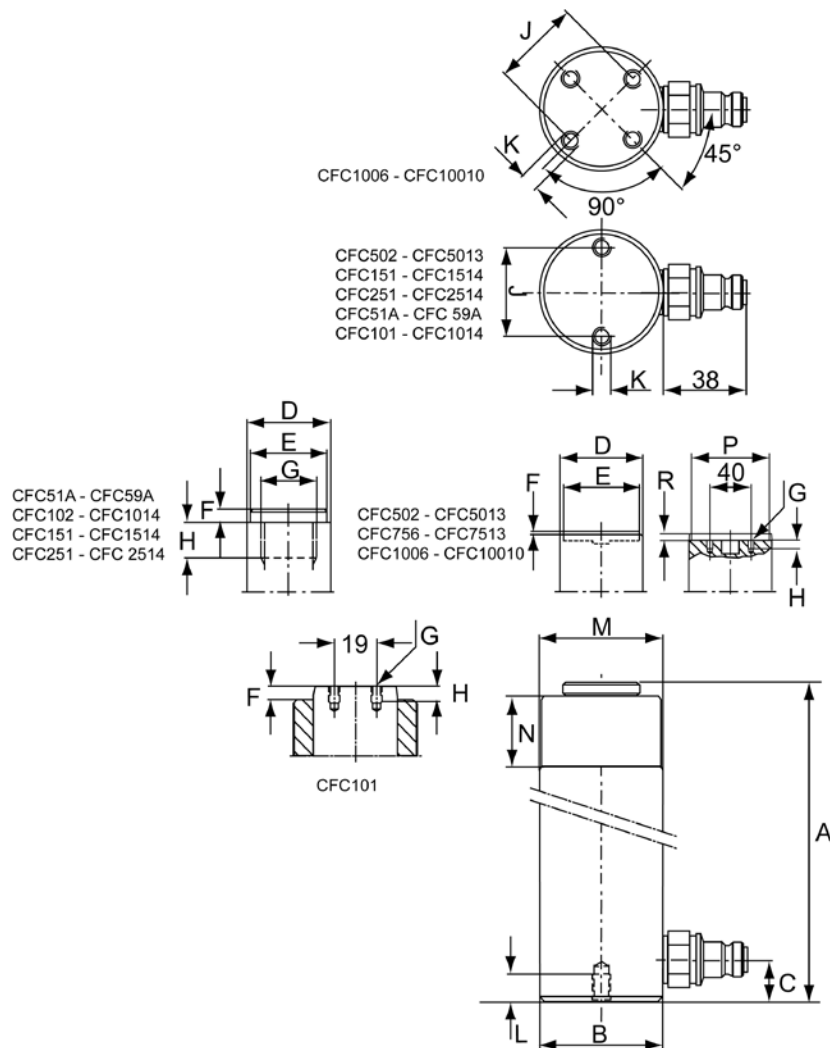
A polyurethane scraper is designed so that no dirt ends up between the piston and cylinder wall can reach.

In addition, the Piston rod of the cylinder is especially treated against corrosion.

Standard sizes of the CFC are between 5 t - 100 t.

Cylinder sizes 5t, 10t, 15t and 25t can be equipped with rich accessories in combination with corresponding Adapters.

Technical drawing



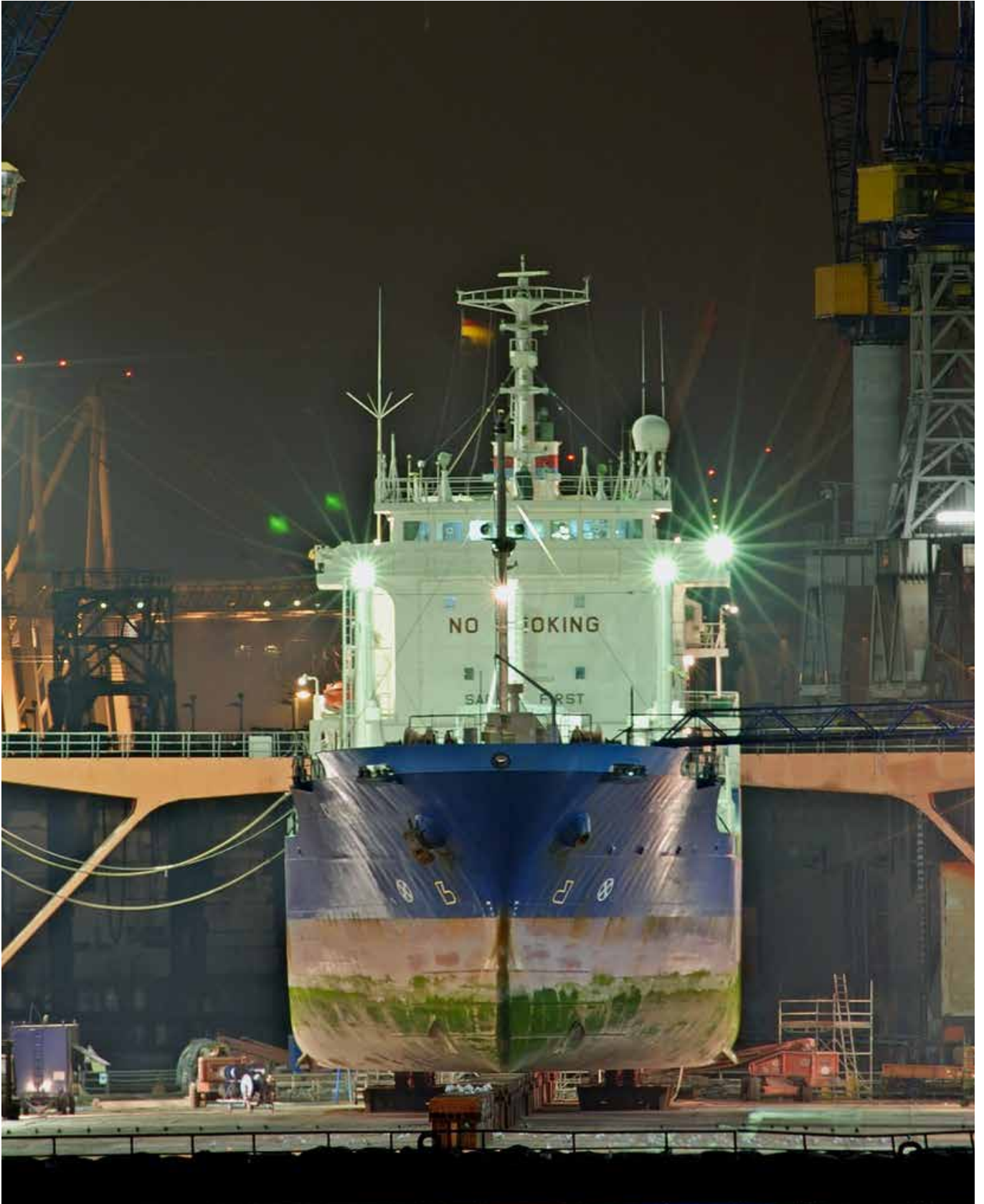
Dimensions							
Model	Working pressure MPa	Capacity kN (tn)	Stroke length mm	Oil volume cm ³	Piston area cm ²	Construction height mm	Weight kg
CFC51A	70	49 (5)	27	19	7	110	0.8
CFC53A	70	49 (5)	77	55	7	165	1.2
CFC55A	70	49 (5)	127	90	7	216	1.5
CFC57A	70	49 (5)	181	128	7	273	1.9
CFC59A	70	49 (5)	232	165	7	324	2.2
CFC101	70	111 (11)	25	40	16	90	1.5
CFC102	70	111 (11)	54	86	16	121	2
CFC104	70	111 (11)	105	167	16	171	2.7
CFC106	70	111 (11)	155	247	16	247	4
CFC108	70	111 (11)	206	328	16	298	4.6
CFC1010	70	111 (11)	257	409	16	349	5.3
CFC1012	70	111 (11)	305	485	16	400	6
CFC1014	70	111 (11)	356	566	16	451	6.8
CFC151	70	166 (17)	25	59	24	124	3
CFC152	70	166 (17)	51	121	24	149	3.5
CFC154	70	166 (17)	101	240	24	200	4.5
CFC156	70	166 (17)	152	361	24	272	6.5
CFC158	70	166 (17)	203	482	24	322	7.5
CFC1510	70	166 (17)	254	603	24	373	8.5
CFC1512	70	166 (17)	305	725	24	424	9.5
CFC1514	70	166 (17)	356	846	24	475	10.9
CFC251	70	232 (24)	25	83	33	140	5.1
CFC252	70	232 (24)	51	169	33	165	5.9
CFC254	70	232 (24)	101	335	33	216	7.7
CFC256	70	232 (24)	159	528	33	273	9.7
CFC258	70	232 (24)	209	694	33	324	11.5
CFC2510	70	232 (24)	260	863	33	375	13.3
CFC2512	70	232 (24)	311	1032	33	426	15
CFC2514	70	232 (24)	362	1201	33	476	17
CFC502	70	496 (51)	53	376	71	176	16
CFC504	70	496 (51)	104	737	71	227	19
CFC506	70	496 (51)	159	1127	71	282	23
CFC5013	70	496 (51)	337	2389	71	460	35
CFC756	70	727 (74)	155	1610	104	282	30
CFC7513	70	727 (74)	333	3459	104	492	48
CFC1006	70	929 (95)	168	2230	133	359	54
CFC10010	70	929 (95)	260	3451	133	450	65

max. Working pressure: 80 PMA

Connecting thread for G $\frac{1}{4}$ "

All information subject to change without further notice.
No responsibility is taken for the correctness of the named specifications.

Dimensions															
Model	A mm	B ø mm	C mm	D ø mm	E ø mm	F mm	G	H mm	J mm	K	L mm	M	N mm	P ø mm	R mm
CFC51A	110	38	19	25	25	6	3/4"-16 UNF	16	25	1/4"-20 UNC	14	1 1/2"-16 UN	29	-	-
CFC53A	165	38	19	25	25	6	3/4"-16 UNF	16	25	1/4"-20 UNC	14	1 1/2"-16 UN	29	-	-
CFC55A	216	38	19	25	25	6	3/4"-16 UNF	16	25	1/4"-20 UNC	14	1 1/2"-16 UN	29	-	-
CFC57A	273	38	19	25	25	6	3/4"-16 UNF	16	25	1/4"-20 UNC	14	1 1/2"-16 UN	29	-	-
CFC59A	324	38	19	25	25	6	3/4"-16 UNF	16	25	1/4"-20 UNC	14	1 1/2"-16 UN	29	-	-
CFC101	90	57	19	38	35	3	10-24 UN	7	40	5/16"-18 UNC	12	2 1/4"-14 UN	27	-	-
CFC102	121	57	19	38	35	6	1"-8 UNC	17	40	5/16"-18 UNC	12	2 1/4"-14 UN	27	-	-
CFC104	171	57	19	38	35	6	1"-8 UNC	17	40	5/16"-18 UNC	12	2 1/4"-14 UN	27	-	-
CFC106	247	57	19	38	35	6	1"-8 UNC	22	40	5/16"-18 UNC	12	2 1/4"-14 UN	27	-	-
CFC108	298	57	19	38	35	6	1"-8 UNC	22	40	5/16"-18 UNC	12	2 1/4"-14 UN	27	-	-
CFC1010	349	57	19	38	35	6	1"-8 UNC	22	40	5/16"-18 UNC	12	2 1/4"-14 UN	27	-	-
CFC1012	400	57	19	38	35	6	1"-8 UNC	22	40	5/16"-18 UNC	12	2 1/4"-14 UN	27	-	-
CFC1014	451	57	19	38	35	6	1"-8 UNC	22	40	5/16"-18 UNC	12	2 1/4"-14 UN	27	-	-
CFC151	124	70	19	48	38	10	1"-8 UNC	17	48	3/8"-16 UNC	13	2 3/4"-16 UN	30	-	-
CFC152	149	70	19	48	38	10	1"-8 UNC	22	48	3/8"-16 UNC	13	2 3/4"-16 UN	30	-	-
CFC154	200	70	19	48	38	10	1"-8 UNC	22	48	3/8"-16 UNC	13	2 3/4"-16 UN	30	-	-
CFC156	272	70	25	48	38	10	1"-8 UNC	25	48	3/8"-16 UNC	13	2 3/4"-16 UN	30	-	-
CFC158	322	70	25	48	38	10	1"-8 UNC	25	48	3/8"-16 UNC	13	2 3/4"-16 UN	30	-	-
CFC1510	373	70	25	48	38	10	1"-8 UNC	25	48	3/8"-16 UNC	13	2 3/4"-16 UN	30	-	-
CFC1512	424	70	25	48	38	10	1"-8 UNC	25	48	3/8"-16 UNC	13	2 3/4"-16 UN	30	-	-
CFC1514	475	70	25	48	38	10	1"-8 UNC	25	48	3/8"-16 UNC	13	2 3/4"-16 UN	30	-	-
CFC251	140	85	22	60	50	10	1 1/2"-16 UN	25	59	1/2"-13 UNC	19	3 5/16"-12 UN	49	-	-
CFC252	165	85	22	60	50	10	1 1/2"-16 UN	25	59	1/2"-13 UNC	19	3 5/16"-12 UN	49	-	-
CFC254	216	85	22	60	50	10	1 1/2"-16 UN	25	59	1/2"-13 UNC	19	3 5/16"-12 UN	49	-	-
CFC256	273	85	22	60	50	10	1 1/2"-16 UN	25	59	1/2"-13 UNC	19	3 5/16"-12 UN	49	-	-
CFC258	324	85	22	60	50	10	1 1/2"-16 UN	25	59	1/2"-13 UNC	19	3 5/16"-12 UN	49	-	-
CFC2510	375	85	22	60	50	10	1 1/2"-16 UN	25	59	1/2"-13 UNC	19	3 5/16"-12 UN	49	-	-
CFC2512	426	85	22	60	50	10	1 1/2"-16 UN	25	59	1/2"-13 UNC	19	3 5/16"-12 UN	49	-	-
CFC2514	476	85	22	60	50	10	1 1/2"-16 UN	25	59	1/2"-13 UNC	19	3 5/16"-12 UN	49	-	-
CFC502	176	127	33	80	75	3	M6	8	95	M12	19	5"-12 UN	55	76	6
CFC504	227	127	33	80	75	3	M6	8	95	M12	19	5"-12 UN	55	76	6
CFC506	282	127	33	80	75	3	M6	8	95	M12	19	5"-12 UN	55	76	6
CFC5013	460	127	33	80	75	3	M6	8	95	M12	19	5"-12 UN	55	76	6
CFC756	282	146	29	100	75	5	M6	8	-	-	-	5 3/4"-12 UN	44	77	4
CFC7513	492	146	29	100	75	5	M6	8	-	-	-	5 3/4"-12 UN	44	77	4
CFC1006	359	175	41	100	75	5	M6	8	140	3/4"-10 UNC	24	6 7/8"-12 UN	54	77	4
CFC10010	450	175	41	100	75	5	M6	8	140	3/4"-10 UNC	24	6 7/8"-12 UN	54	77	4



BAHCO
DORTMUND

BAHCO GmbH & Co.KG

Martener Hellweg 60

DE- 44379 Dortmund

Phone

+49 231/91 72 11-0

Fax

+49 231/91 72 11-22

www.bahco.de

info@bahco.de

BAHCO