

800 bar

BAHCO
DORTMUND



SUPER FLAT CYLINDER SERIES CML 13 TN UP TO 160 TN

The super flat cylinder of the CML series is extremely flat at the same time low weight. The great advantage of these cylinders is especially evident where there is limited space or hard to reach places are available. The domed pistons allows for a slightly off-center load application.

- 6 models, 10 to 16 mm stroke
- Extremely flat design
- Light weight
- Single-acting without spring return
- Corrosion-resistant piston, galvanized housing
- Fully-duty piston stop

BAHCO



BAHCO GmbH & Co.KG

Martener Hellweg 60

DE- 44379 Dortmund

Phone

+49 231/91 72 11-0

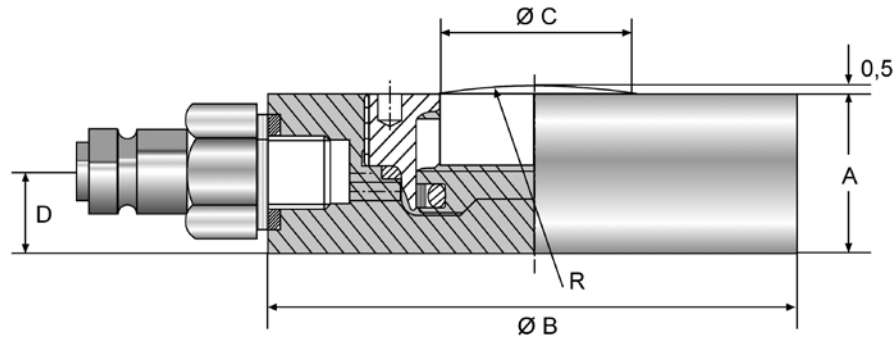
Fax

+49 231/91 72 11-22

www.bahco.de

info@bahco.de

Technical drawing



Dimensions

Type	Part-No.	Cylinder- class tn	Capacity kN	Stroke mm	Dis- place- ment cm ³	Piston area cm ²	Dimensions in mm					Weight kgs
							A	B	C	D	R	
CML 13 - 10S	40250005	13	124.7	10	16	15.90	35	100	36	15	600	2.1
CML 25 - 10S	40250015	25	244.4	10	31	31.17	44	120	50	16	600	3.7
CML 40 - 10S	40250025	40	394.0	10	50	50.26	49	145	67	17	1000	6.1
CML 60 - 10S	40250035	60	615.7	10	79	78.54	56	170	90	21	1500	9.6
CML 100 - 16S	40250045	100	962.0	16	196	122.72	71	190	110	23	1800	14.9
CML 160 - 16S	40250055	160	1576.0	16	322	201.06	91	225	130	29	1800	27.2

Connection thread for quick coupling R 1/4"

