

800 bar

BAHCO
DORTMUND



PULL CYLINDER SERIES CPF, CDX 4.5 UP TO 50 TONS

For this cylinder are due to the special constructions various possible applications. Has proven the use, etc. especially when straightening and welding in ship building and container, but also body repairs be greatly facilitated. In addition, the range of accessories types of CPF enables various work operations in the most different areas of application.

- 4 types; 125 to 150 mm pull
- Single-acting with spring return
- Fully-duty piston stop
- Hard-chromed plated piston housing
- CDX-types with clevis eyes
- One-sided (oblique) load allowed (CDX)
- Accessories for CPF types depending on the use of accessories

BAHCO



BAHCO GmbH & Co.KG

Martener Hellweg 60

DE- 44379 Dortmund

Phone

+49 231/91 72 11-0

Fax

+49 231/91 72 11-22

www.bahco.de

info@bahco.de

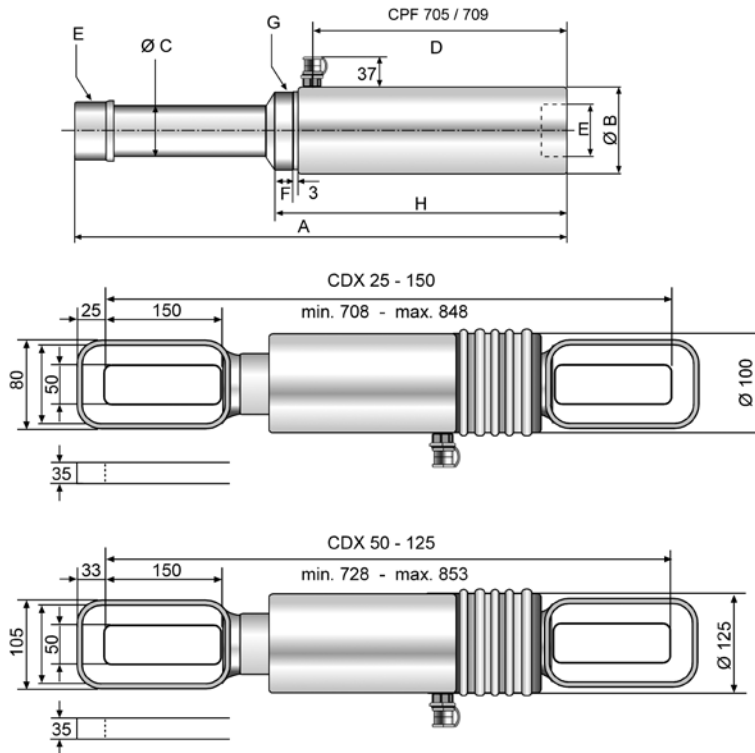
| Dimensions | | | | | | | |
|--------------|----------|------------------|-------------------|---------|------------------------------|-----------------------------|------------|
| Type | Part-No. | Cylinder class t | Capacity kN | Pull mm | Displacement cm ³ | Piston area cm ² | Weight kgs |
| CPF 705 | 39273000 | 5.0 | 45 ¹⁾ | 125 | 80 | 6.0 | 2.4 |
| CPF 709 | 39272800 | 11.0 | 112 ¹⁾ | 127 | 199 | 16.0 | 5.9 |
| CDX 25 - 150 | 38251900 | 25.0 | 271 ²⁾ | 140 | 484 | 34.56 | 20.1 |
| CDX 50 - 125 | 38252000 | 50.0 | 492 ²⁾ | 125 | 783 | 62.64 | 31.5 |

| Dimensions | | | | | | | | | |
|--------------|----------|------------------|-----|-----|-----|------------|----|----------|-----|
| Type | Part-No. | Dimensions in mm | | | | | | | |
| | | A | B Ø | C Ø | D | E NPT | F | G UN | H |
| CPF 705 | 39273000 | 412 | 48 | 20 | 211 | ¾" - 14 | 25 | 1½" - 16 | 257 |
| CPF 709 | 39272800 | 436 | 70 | 32 | 215 | 1¼" - 11½" | 26 | 2¼" - 14 | 269 |
| CDX 25 - 150 | 38251900 | see sketch | | | | | | | |
| CDX 50 - 125 | 38252000 | see sketch | | | | | | | |

Connection thread for quick coupling R ¼"

¹⁾ at 700 bar, ²⁾ at 800 bar

Technical Drawing



All information subject to change without further notice.
No responsibility is taken for the correctness of the named specifications.