



## VALVE-CONTROLLED CYLINDERS SERIES DHC / DTR

The series of hydraulic cylinders DHC 12E includes one and two-stage strokes. Single piston system for DHC 12E-285, double system for DHC 12E-570.

The type DTR 265-700 is a double-acting telescopic cylinder with a low overall height and a large stroke. The cylinders are operated via a 4/3-way rotary valve with a dead man's switch. A separate pump with P + R -Connection required.

- Capacity 12 and 27 tons
- Strokes 285 - 330 - 700 mm
- Working pressure 800 bar
- Large selection of attachable accessories

**BAHCO GmbH & Co.KG**

Martener Hellweg 60

DE- 44379 Dortmund

**Phone**

+49 231/91 72 11-0

**Fax**

+49 231/91 72 11-22

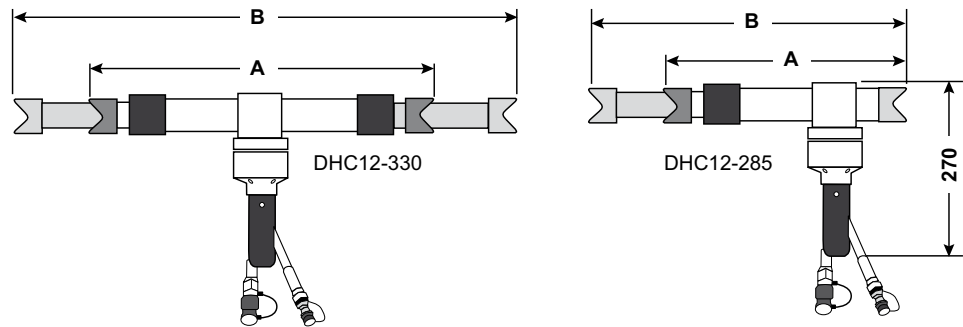
www.bahco.de

info@bahco.de

**Cylinder with single or double piston, double-acting**

| Model       | Part-No. | Compressive force kN | Tractive force kN | Stroke mm | min. Length mm A | max. Length mm B | Weight kgs |
|-------------|----------|----------------------|-------------------|-----------|------------------|------------------|------------|
| DHC 12E-285 | 46397    | 120                  | 30                | 1 x 285   | 521              | 806              | 11.1       |
| DHC 12E-330 | 46396    | 120                  | 30                | 2 x 165   | 598              | 928              | 11.7       |
| DHC 12E-570 | 46274    | 120                  | 30                | 2 x 285   | 855              | 1408             | 15.8       |

Equipped with V-head on both sides, further accessories on request!

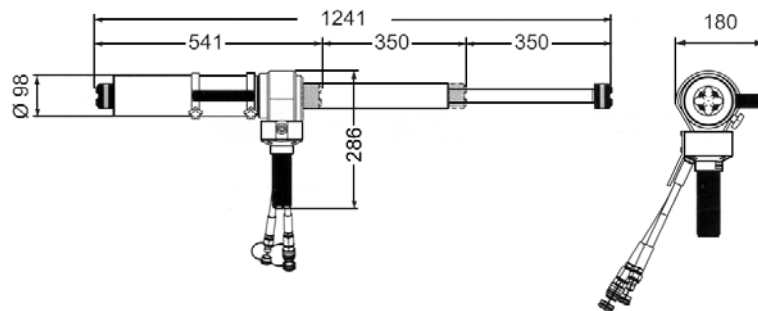


**Telescopic cylinder, double-acting**

| Model       | Part-No. | Compressive force Piston 1 kN | Compressive force Piston 2 kN | Tractive force Piston 1 kN | Tractive force Piston 2 kN | Stroke mm |
|-------------|----------|-------------------------------|-------------------------------|----------------------------|----------------------------|-----------|
| DTR 265-700 | 45276    | 265                           | 100                           | 39                         | 36                         | 2 x 350   |

| Model       | min. Length mm A | max. Length mm B | Weight kgs |
|-------------|------------------|------------------|------------|
| DTR 265-700 | 541              | 1241             | 15.9       |

Equipped with grooved print head on both sides.



All information subject to change without further notice.  
No responsibility is taken for the correctness of the named specifications.