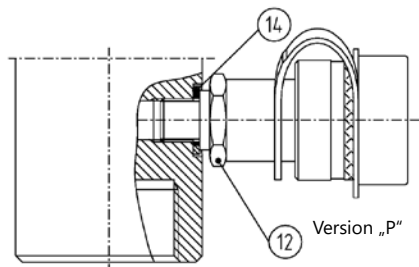
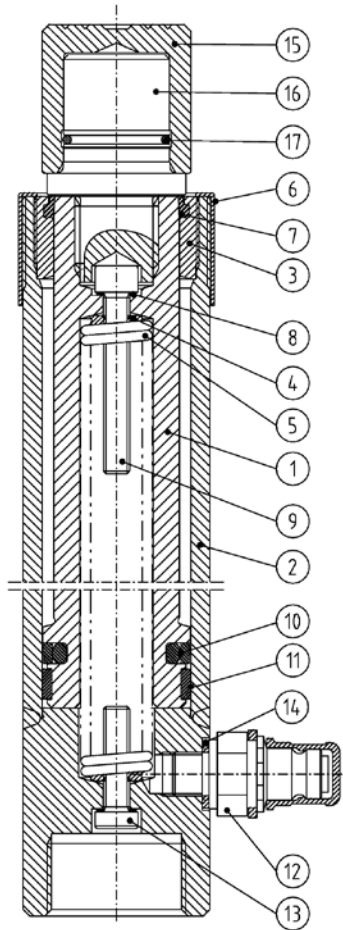


# Hydraulic Push Cylinder - Type: CF110C/CF110CP/CF210C/CF210CP/CF310C/CF310CP/CFU2010C/ CFU2510C/CFU2510CP



Pos.	Qty	Description	Part-No.
1	1	Piston CF 110	39855
1	1	Piston CF 210	39856
1	1	Piston CF310	39858
1	1	Piston CFU 2010	39856
1	1	Piston CFU 2510	39857
2	1	Cylinder tube CF 110	42963
2	1	Cylinder tube CF 210	42823
2	1	Cylinder tube CF 310	42824
2	1	Cylinder tube CFU 2010	42823
2	1	Cylinder tube CFU 2510	42964
3	1	Bushing	39854
4	2	Spring attachment	39873
5	1	Spring CF 110	39875
5	1	Spring CF 210	39876
5	1	Spring CF 310	39878
5	1	Spring CFU 2010	39876
5	1	Spring CFU 2510	39877
6	1	Safety ring	39996
7	1	Wiper	*
8	2	Packing	*
9	1	Screw	23473
10	1	Packing	*
11	1	Guide	*

Pos.	Qty	Description	Part-No.
12	1	Coupling nipple TX23S (opt.)	38815500
12P	1	Coupling AQI 24 (opt.)	38403860
13	1	Screw	40280
14	1	Packing	*
15	1	Pressure head CF 110	THR10
15	1	Pressure head CF 210	THR10
15	1	Pressure head CF 310	THR10
16	1	Tap CF 110	42967
16	1	Tap CF 210	42967
16	1	Tap CF 310	42967
16	1	Tap CFU 2010	42966
16	1	Tap CFU 2510	42966
17	1	Spring ring	14828
		* Seal kit	17475
		* Only available in Seal kit	

Documentation commissioner:  
Andreas Bos  
Version: 02.2023

**BAHCO GmbH & Co. KG**  
Martener Hellweg 60  
44379 Dortmund  
Phone: +49(0)231 91 72 11-0  
Fax: +49(0)231 91 72 11-20  
Internet: www.bahco.de  
E-Mail: info@bahco.de

### Hydraulic Push Cylinder Spare Part List

Type  
**CF110C|CF110CP|CF210C|  
CF210CP|CF310P|CFU2010C|  
CFU2510C|CFU2510CP**

**BAHCO**  
DORTMUND