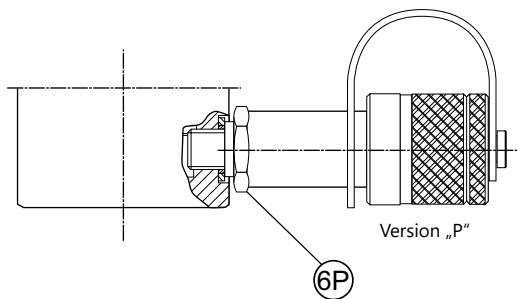
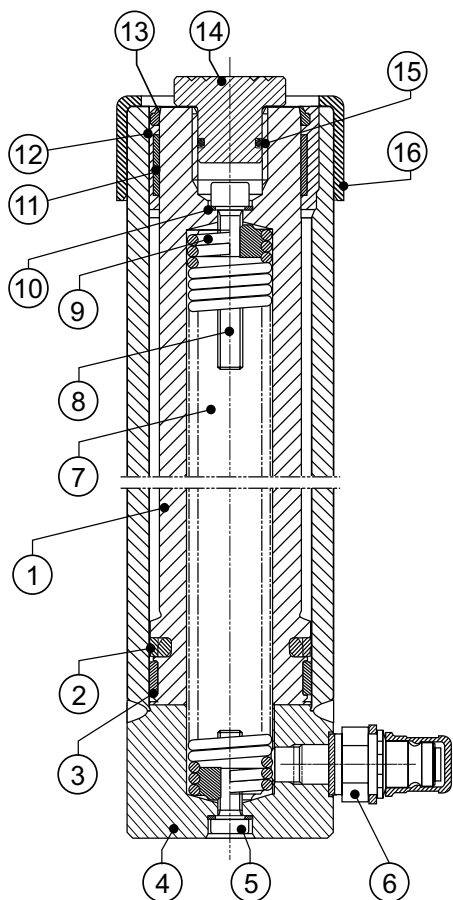


HYDRAULIC PUSH CYLINDER TYPE: CFC156(P)/CFC158(P)/CFC1510(P)/CFC1512(P)/CFC1514(P)



Pos.	Qty	Description	Part-No.
1	1	Piston CFC 156	39887
1	1	Piston CFC 158	39888
1	1	Piston CFC 1510	39889
1	1	Piston CFC 1512	39890
1	1	Piston CFC 1514	39891
2	1	Packing	39912 *
3	1	Guide	39906 *
4	1	Cylinder CFC 156	39892
4	1	Cylinder CFC 158	39893
4	1	Cylinder CFC 1510	39894
4	1	Cylinder CFC 1512	39895
4	1	Cylinder CFC 1514	39896
5	1	Screw	40280
6	1	Coupling nipple TX23S (opt.)	38815500
6P	1	Coupling AQI24 (opt.)	38403860
7	1	Spring CFC 156	39907
7	1	Spring CFC 158	39908
7	1	Spring CFC 1510	39909
7	1	Spring CFC 1512	39910
7	1	Spring CFC 1514	39911
8	1	Screw	23473
9	2	Spring attachment	39905

Pos.	Qty	Description	Part-No.
10	2	Packing	15210 *
11	1	Guide	39914 *
12	1	Bushing	39886
13	1	Wiper	39904 *
14	1	Pressure head	THR15
15	1	O-ring	20089
16	1	Protection ring	39997
		* Seal Kit	40505
		* Only available in Seal Kit	

Documentation commissioner:
Andreas Bos
Version: 02.2023

BAHCO GmbH & Co. KG
Martener Hellweg 60
44379 Dortmund
Phone: +49(0)231 91 72 11-0
Fax: +49(0)231 91 72 11-20
Internet: www.bahco.de
E-Mail: info@bahco.de

Hydraulic -Push Cylinder- Spare Part List

Type
**CFC156(P)/CFC158(P)/
CFC1510(P)/CFC1512(P)/
CFC1514(P)**

BAHCO
DORTMUND