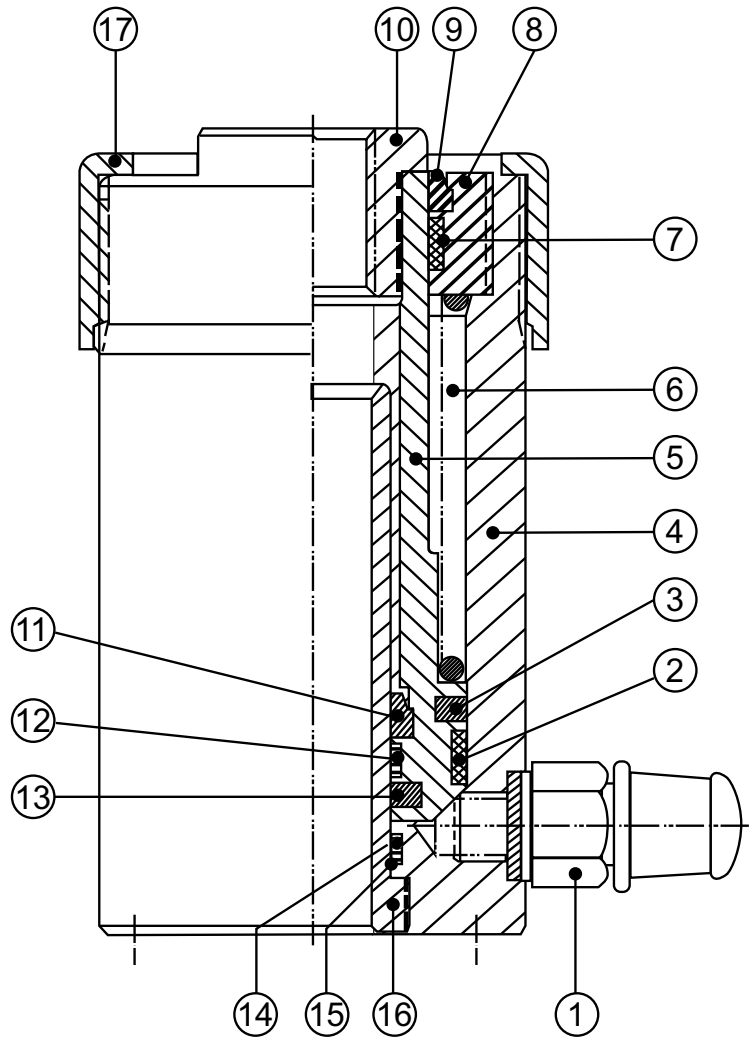


HYDRAULIC -HOLLOW PISTON- CYLINDER TYPE: CHB 15-50 | CHB 15-100



Pos.	Qty	Description	Part-No.
1	1	Coupling nipple TX23S (optional)	38815500
2	1	Guide	*
3	1	Packing	*
4	1	Cylinder CHB15-50	40231501
4	1	Cylinder CHB 15-100	40231511
5	1	Piston CHB 15-50	40231502
5	1	Piston CHB 15-100	40231512
6	1	Spring CHB 15-50	40231505
6	1	Spring CHB 15-100	40231514
7	1	Guide	*
8	1	Bushing	40231503
9	1	Wiper	*
10	1	Sleeve M24	40231506
10	1	Sleeve 1"	40231508
11	1	Wiper	*
12	1	Guide	*
13	1	Packing	*
14	1	O - ring	*
15	1	Support ring	*
16	1	Tube CHB 15-50	40231504
16	1	Tube CHB 15-100	40231513
17	1	Protection ring	40231507
		* Seal kit	40231516
		* included in Seal kit	

Documentation commissioner:
Andreas Bos
Version: 01.09.2022

BAHCO GmbH & Co. KG
Martener Hellweg 60
44379 Dortmund
Phone: +49(0)231 91 72 11-0
Fax: +49(0)231 91 72 11-20
Internet: www.bahco.de
E-Mail: info@bahco.de

Hydraulic -Hollow Piston- Cylinder Spare Part List

Type
CHB 15-50 | CHB 15-100

BAHCO
DORTMUND