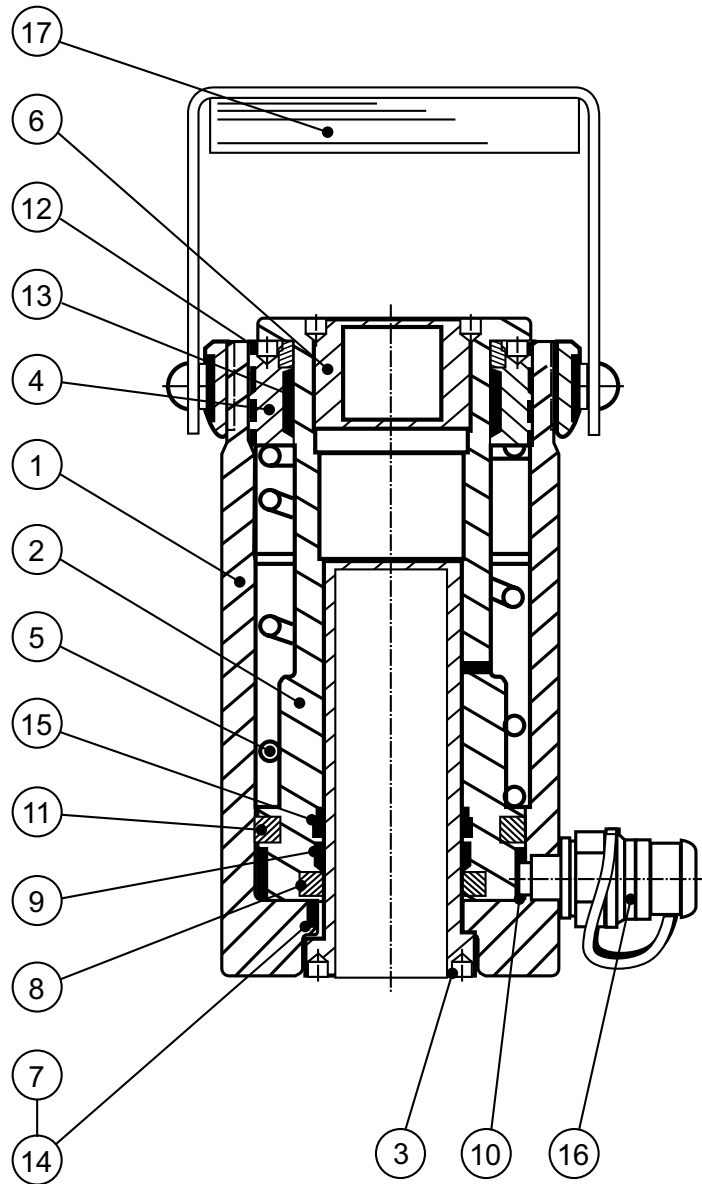


HYDRAULIKC -HOLLOW PISTON-CYLINDER TYPE: CHB 30-50 | CHB 30-75 | CHB 30-150



Pos.	Qty	Description	Part-No.
1	1	Cylinder CHB 30-50	40230101
	1	Cylinder CHB 30-75	40230201
	1	Cylinder CHB 30-150	40230301
2	1	Piston CHB 30-50	40230102
	1	Piston CHB 30-75	40230202
	1	Piston CHB 30-150	40230302
3	1	Tube CHB 30-50	40230103
	1	Tube CHB 30-75	40230203
	1	Tube CHB 30-150	40230304
4	1	Bushing	40230303
5	1	Spring CHB 30-75	40230204
	1	Spring CHB 30-150	40230306
6	1	Sleeve M33	40230307
7	1	Support ring	*
8	1	Shell ring	*
9	1	Guide CHB 30-50, -75, -150	*
10	1	Guide CHB 30-50, -75	*
	1	Guide CHB 30-150	*
11	1	Shell ring	*
12	1	Wiper ring	*
13	1	Guide band	*
14	1	O - ring	*
15	1	Wiper	*

Pos.	Qty	Description	Part-No.
16	1	Coupling nipple TX23S (optional)	38815500
17	1	Handle	40230308
		* Seal kit CHB 30-50, -75 (+Packing for TX23S)	40230206
		* Seal kit CHB 30-150 (+Packing for TX23S)	40230207
		* included in Seal kit	

Documentation commissioner:
Andreas Bos
Version: 01.09.2022

BAHCO GmbH & Co. KG
Martener Hellweg 60
44379 Dortmund
Phone: +49(0)231 91 72 11-0
Fax: +49(0)231 91 72 11-20
Internet: www.bahco.de
E-Mail: info@bahco.de

Hydraulic-Cylinder Spare Part List

Type
CHB 30-50 | CHB 30-75
CHB 30-150

BAHCO
DORTMUND