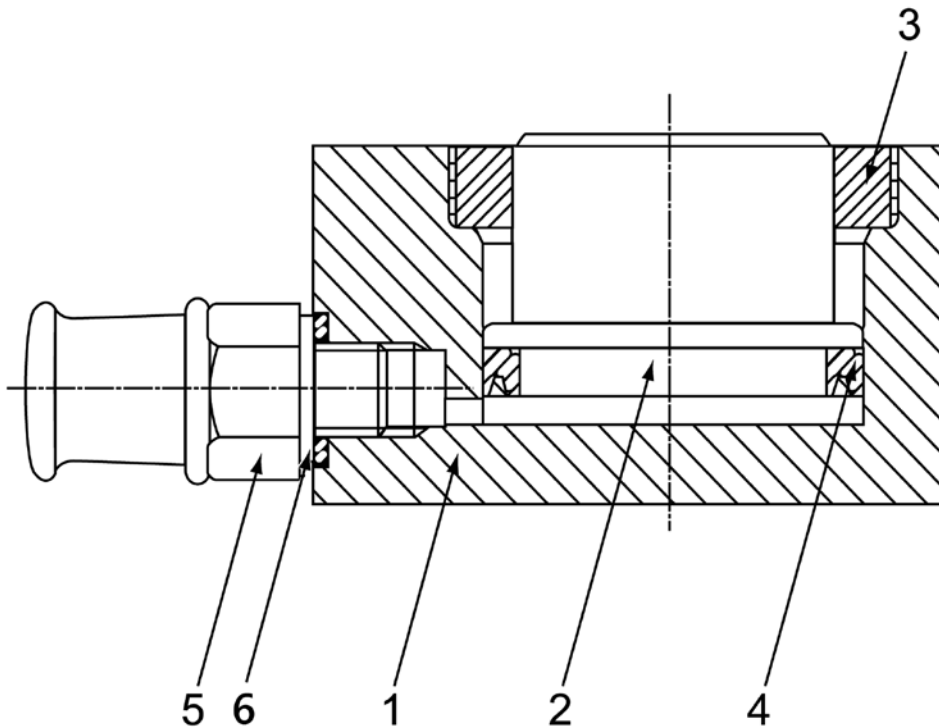


# HYDRAULIC-FLAT CYLINDER TYPE: CLA 6.5-10 | CLA 20-13 | CLA 40-13



Pos.	Qty	Description	Part-No.
1	1	Cylinder CLA 6.5-10	40250101
	1	Cylinder CLA 20-13	40250111
	1	Cylinder CLA 40-13	40250121
2	1	Piston CLA 6.5-10	40250102
	1	Piston CLA 20-13	40250112
	1	Piston CLA 40-13	40250122
3	1	Bushing CLA 6.5-10	40250103
	1	Bushing CLA 20-13	40250113
	1	Bushing CLA 40-13	40250123
4	1	Sleeve CLA 6.5-10	38214104 *
	1	Sleeve CLA 20-13	38214204 *
	1	Sleeve CLA 40-13	38214304 *
5	1	Coupling nipple TX23S (opt.)	38815500
6	1	Packing	17009 *
	1	* Seal kit CLA 6.5-10	40250104
	1	* Seal kit CLA 20-13	40250114
	1	* Seal kit CLA 40-13	40250124
		* Only available in Seal Kit	

Documentation commissioner:  
Andreas Bos  
Version: 04.2023

**BAHCO GmbH & Co. KG**  
Martener Hellweg 60  
44379 Dortmund  
Phone: +49(0)231 91 72 11-0  
Fax: +49(0)231 91 72 11-20  
Internet: www.bahco.de  
E-Mail: info@bahco.de

## Hydraulic -Flat Cylinder- Spare Part List

Type  
**CLA 6,5-10**  
**CLA 20-13 | CLA 40-13**

**BAHCO**  
DORTMUND